

Pads technical data

Axle
Front

WVA
20323

Width
76,7 mm

Thickness
14,5 mm

Height
65,8 mm

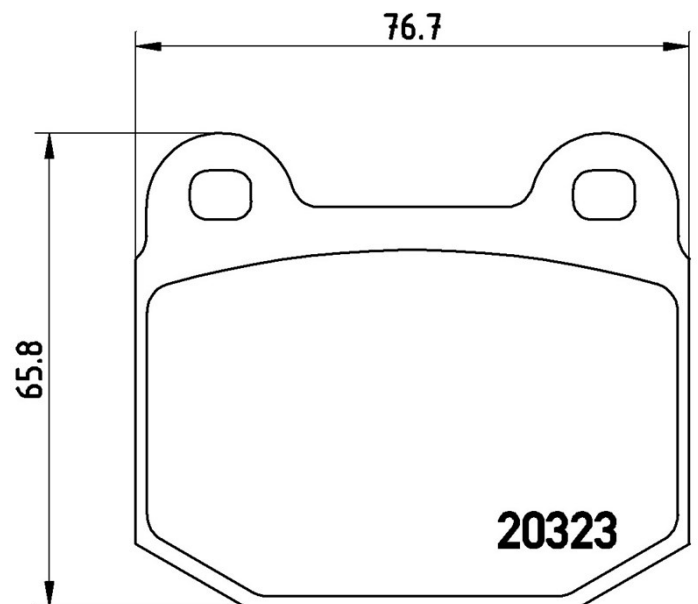
Braking system
Teves

Features

Wear indicator
Without



EANCode
8020584055564



Compatible vehicles

| LOTUS | | | | |
|----------|-------|-----|-------------|--|
| Model | Type | Kw | Year | |
| 2 ELEVEN | 1.8 | 142 | 04/07 07/11 | |
| ELISE | 1.8 | 88 | 08/95 11/00 | |
| ELISE | 111 S | 107 | 03/99 11/00 | |
| ELISE | 1.6 | 100 | 06/07 - | |
| ELISE | 1.8 | 141 | 01/04 - | |
| ELISE | 1.8 | 118 | 05/02 - | |
| ELISE | 1.8 | 162 | 06/07 - | |
| ELISE | 1.8 | 99 | 10/03 - | |
| ELISE | 1.8 | 90 | 11/00 08/05 | |

| | | | |
|--------------|-------------|-----|-------------|
| ELISE | 1.8 | 140 | 11/02 - |
| ELISE 340 R | 1.8 | 132 | 03/00 02/01 |
| EUROPA S | 2.0 Turbo | 147 | 07/06 - |
| EUROPA S | 2.0 Turbo | 165 | 09/08 - |
| EXIGE (SCC_) | 1.8 16V | 163 | 04/06 06/12 |
| EXIGE (SCC_) | 1.8 16V | 132 | 05/00 07/08 |
| EXIGE (SCC_) | 1.8 16V | 141 | 09/01 07/08 |
| EXIGE (SCC_) | 1.8 265 E | 197 | 08/06 06/12 |
| EXIGE (SCC_) | 1.8 Cup 240 | 181 | 04/06 06/12 |
| EXIGE (SCC_) | 1.8 Cup 260 | 191 | 04/06 06/12 |

OPEL

| Model | Type | Kw | Year |
|-----------------|-----------------|-----|-------------|
| SPEEDSTER (E01) | 2.0 Turbo (R97) | 147 | 08/02 08/06 |
| SPEEDSTER (E01) | 2.2 (R97) | 108 | 06/00 08/05 |

VAUXHALL

| Model | Type | Kw | Year |
|-------------------------|-------------|-----|-------------|
| SPEEDSTER (E01) | 2.2 | 108 | 03/01 09/06 |
| VX220 Convertible (E01) | 2.0 i Turbo | 147 | 03/01 07/05 |
| VX220 Convertible (E01) | 2.0 VXR | 162 | 10/03 07/05 |
| VX220 Convertible (E01) | 2.2 i | 108 | 09/00 07/05 |

OE Part number

Compatible OE codes

| | |
|----------------|------------|
| GENERAL MOTORS | 93181525 |
| LOTUS | B117J0084S |
| OPEL | 4801292 |
| OPEL | 4801667 |
| OPEL | 93181525 |
| VAUXHALL | 9199058 |