

BRAKE PAD P 59 026

The P 59 026 brake pad is synonymous with reliability

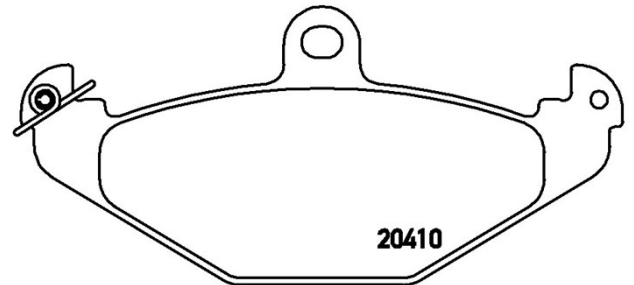
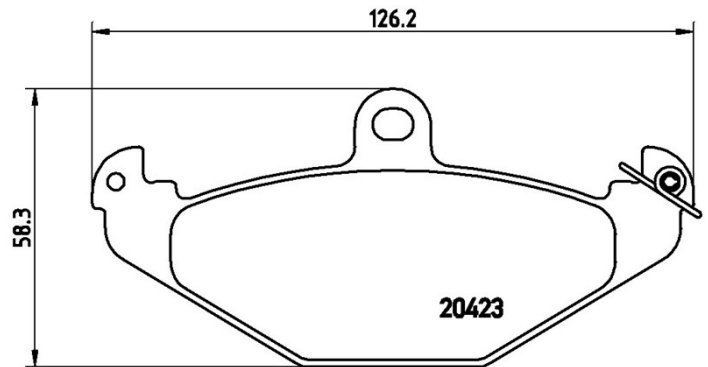
The Brembo brake pad guarantees ultimate safety when braking thanks to the use of more than 100 different compounds, designed according to the type of vehicle and use. Stopping distances reduced to a minimum, maximum driving comfort and silent operation are the most important features of Brembo materials. Brembo brake pads are supplied together with an extensive range of accessories and assembly kits for professional-standard installation.

- ✓ OE-equivalent
- ✓ Brembo quality
- ✓ ECE-R90 certificate
- ✓ Safety
- ✓ Performance
- ✓ Comfort



Technical specifications

EAN code	Rear	Thickness
8020584055571		13 mm
Width	Height	Braking system
126 mm	58 mm	Brembo
Wear indicator	WVA number	
Without	20410,20423	



COMPATIBLE VEHICLES

LOTUS

2 ELEVEN	1.8	188/256	04/07 07/11
2 ELEVEN	1.8	142/193	04/07 07/11
ELISE	1.8	101/137	11/98 01/01

ELISE	1.8	88/120	08/95 11/00
ELISE	111 S	107/146	03/99 11/00
ELISE	1.6	100/136	06/07
ELISE	1.8	164/223	01/04
ELISE	1.8	90/122	11/00 08/05
ELISE	1.8	118/160	05/02
ELISE	1.8	162/220	06/07
ELISE	1.8	99/135	10/03
ELISE	1.8	141/192	01/04
ELISE	1.8	140/190	11/02
ELISE	CUP 250	181/246	02/16
ELISE 340 R	1.8	132/180	03/00 02/01
EUROPA S	2.0 Turbo	165/224	09/08
EUROPA S	2.0 Turbo	147/200	07/06
EXIGE (SCC_)	1.8 16V	163/222	04/06 06/12
EXIGE (SCC_)	1.8 16V	132/180	05/00 07/08
EXIGE (SCC_)	1.8 16V	141/192	09/01 07/08
EXIGE (SCC_)	1.8 265 E	197/268	08/06 06/12
EXIGE (SCC_)	1.8 Cup 240	181/246	04/06 06/12
EXIGE (SCC_)	1.8 Cup 260	191/260	04/06 06/12
EXIGE (SCC_)	1.8 S	179/243	01/08 04/11

OPEL

SPEEDSTER (E01)	2.0 Turbo (R97)	147/200	08/02 08/06
SPEEDSTER (E01)	2.2 (R97)	108/147	06/00 08/05

TESLA

ROADSTER (DS)	Electric	185/252	03/08
ROADSTER (DS)	Electric	215/292	03/08 12/10

VAUXHALL

VX220 Convertible (E01)	2.0 i Turbo	147/200	03/01 07/05
VX220 Convertible (E01)	2.0 VXR	162/220	10/03 07/05
VX220 Convertible (E01)	2.2 i	108/147	09/00 07/05

COMPATIBLE OE PART NUMBERS

4720987	CHRYSLER
4897219AA	CHRYSLER
93191371	GENERAL MOTORS
A117J0085S	LOTUS
B117J0085S	LOTUS
4801293	OPEL
4801664	OPEL
93181371	OPEL
6002446	TESLA
9199059	VAUXHALL
93184618	VAUXHALL