

Pads technical data

Axle
Rear

WVA
24421, 24422

Width
106,4 mm

Thickness
16,7 mm

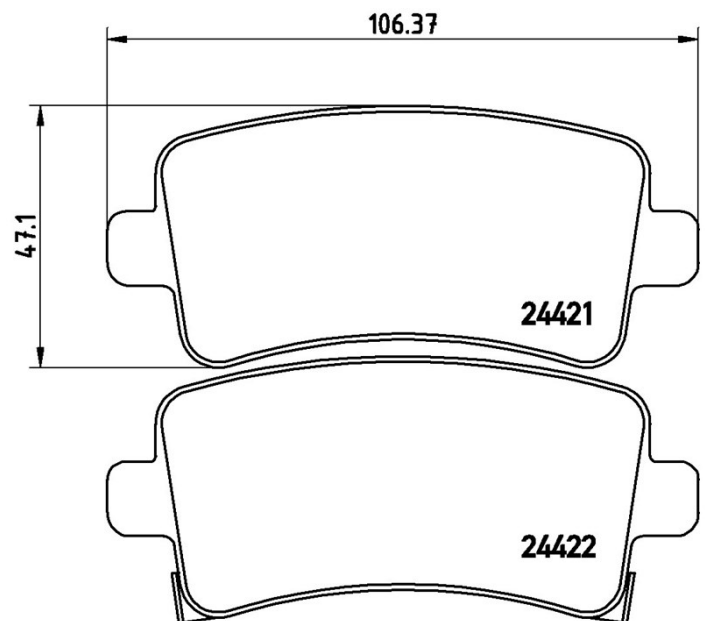
Height
47,1 mm

Braking system
TRW

Features
With accessories

Wear indicator
Acoustic

EANCode
8020584090749



Compatible vehicles

BUICK			
Model	Type	Kw	Year
LA CROSSE Saloon	3.6	227	09/13 -
LA CROSSE Saloon	3.6 VVTi	209	01/10 12/11
BUICK (SGM)			
Model	Type	Kw	Year
LACROSSE (EG2)	2.0 Turbo	162	04/10 12/13
LACROSSE (EG2)	2.0 Turbo	187	06/13 03/16
LACROSSE (EG2)	2.4	137	01/11 12/16
LACROSSE (EG2)	2.4	125	07/09 12/12

LACROSSE (EG2)	2.4 Hybrid	137	08/11 12/15
LACROSSE (EG2)	3.0	195	02/12 03/16
LACROSSE (EG2)	3.0	190	07/09 12/12
REGAL II	1.6 Turbo	135	02/12 12/17
REGAL II	1.6 Turbo	132	09/09 12/12
REGAL II	2.0	113	09/13 12/17
REGAL II	2.0	108	12/08 12/13
REGAL II	2.0	162	06/09 12/13
REGAL II	2.4	137	01/11 12/15
REGAL II	2.4	125	12/08 12/11
REGAL II	GS 2.0	187	09/13 -

CHEVROLET

Model	Type	Kw	Year
MALIBU	2.0	193	09/12 -
MALIBU (V300)	2.0	193	01/12 12/15
MALIBU (V300)	2.0	104	02/12 -
MALIBU (V300)	2.0 D	115	04/12 -
MALIBU (V300)	2.0 D	118	04/12 -
MALIBU (V300)	2.0 LPG	101	02/12 -
MALIBU (V300)	2.4	123	01/12 -
MALIBU (V300)	2.4	125	01/12 -
MALIBU (V300)	2.5	147	07/13 -

CHEVROLET (SGM)

Model	Type	Kw	Year
MALIBU	1.6 T	135	02/12 -
MALIBU	2.0	113	02/12 12/16
MALIBU	2.4	137	02/12 -

HOLDEN

Model	Type	Kw	Year
MALIBU (V300)	2.0 D	117	05/13 -
MALIBU (V300)	2.4 i	123	05/13 -

OPEL

Model	Type	Kw	Year
INSIGNIA A (G09)	1.4 (68)	103	04/11 03/17

INSIGNIA A (G09)	1.4 LPG (68)	103	07/12 03/17
INSIGNIA A (G09)	1.6 (68)	85	07/08 03/17
INSIGNIA A (G09)	1.6 CDTi (68)	88	07/15 03/17
INSIGNIA A (G09)	1.6 CDTi (68)	100	07/15 03/17
INSIGNIA A (G09)	1.6 SIDI (68)	125	03/13 03/17
INSIGNIA A (G09)	1.6 Turbo (68)	132	07/08 03/17
INSIGNIA A (G09)	1.8 (68)	103	07/08 03/17
INSIGNIA A (G09)	2.0 CDTi (68)	88	03/12 03/17
INSIGNIA A (G09)	2.0 CDTi (68)	103	06/13 03/17
INSIGNIA A (G09)	2.0 CDTi (68)	81	07/08 03/17
INSIGNIA A (G09)	2.0 CDTi (68)	96	07/08 03/17
INSIGNIA A (G09)	2.0 CDTi (68)	118	07/08 03/17
INSIGNIA A (G09)	2.0 CDTi (68)	120	07/13 03/17
INSIGNIA A (G09)	2.0 CDTi (68)	125	11/14 03/17
INSIGNIA A (G09)	2.0 CDTi 4x4 (68)	118	06/10 03/17
INSIGNIA A (G09)	2.0 CDTi 4x4 (68)	120	07/13 03/17
INSIGNIA A (G09)	2.0 CDTi 4x4 (68)	125	11/14 03/17
INSIGNIA A (G09)	2.0 Turbo (68)	184	04/14 03/17
INSIGNIA A Country Tourer (G09)	1.6 CDTi (47)	88	07/15 03/17
INSIGNIA A Country Tourer (G09)	1.6 CDTi (47)	100	07/15 03/17
INSIGNIA A Country Tourer (G09)	2.0 CDTi (47)	88	03/12 03/17
INSIGNIA A Country Tourer (G09)	2.0 CDTi (47)	96	07/08 03/17
INSIGNIA A Country Tourer (G09)	2.0 CDTi (47)	120	07/14 03/17
INSIGNIA A Country Tourer (G09)	2.0 CDTi (47)	125	11/14 03/17
INSIGNIA A Country Tourer (G09)	2.0 CDTi 4x4 (47)	120	09/13 03/17
INSIGNIA A Country Tourer (G09)	2.0 CDTi 4x4 (47)	125	11/14 03/17
INSIGNIA A Saloon (G09)	1.4 (69)	103	04/11 03/17
INSIGNIA A Saloon (G09)	1.4 LPG (69)	103	07/12 03/17
INSIGNIA A Saloon (G09)	1.6 (69)	85	07/08 03/17
INSIGNIA A Saloon (G09)	1.6 CDTi (69)	88	07/15 03/17
INSIGNIA A Saloon (G09)	1.6 CDTi (69)	100	07/15 03/17
INSIGNIA A Saloon (G09)	1.6 SIDI (69)	125	03/13 03/17
INSIGNIA A Saloon (G09)	1.6 Turbo (69)	132	07/08 03/17
INSIGNIA A Saloon (G09)	1.8 (69)	103	07/08 03/17

INSIGNIA A Saloon (G09)	2.0 CDTI (69)	88	03/12 03/17
INSIGNIA A Saloon (G09)	2.0 CDTI (69)	103	06/13 03/17
INSIGNIA A Saloon (G09)	2.0 CDTI (69)	81	07/08 03/17
INSIGNIA A Saloon (G09)	2.0 CDTI (69)	96	07/08 03/17
INSIGNIA A Saloon (G09)	2.0 CDTI (69)	118	07/08 03/17
INSIGNIA A Saloon (G09)	2.0 CDTI (69)	120	07/13 03/17
INSIGNIA A Saloon (G09)	2.0 CDTI (69)	125	11/14 03/17
INSIGNIA A Saloon (G09)	2.0 CDTI 4x4 (69)	118	06/10 03/17
INSIGNIA A Saloon (G09)	2.0 CDTI 4x4 (69)	120	07/13 03/17
INSIGNIA A Saloon (G09)	2.0 CDTI 4x4 (69)	125	11/14 03/17
INSIGNIA A Saloon (G09)	2.0 Turbo (69)	184	04/14 03/17
INSIGNIA A Sports Tourer (G09)	1.4 (35)	103	09/11 06/13
INSIGNIA A Sports Tourer (G09)	1.4 LPG (35)	103	07/12 06/13
INSIGNIA A Sports Tourer (G09)	1.6 (35)	85	07/08 06/12
INSIGNIA A Sports Tourer (G09)	1.6 CDTi (35)	88	07/15 01/17
INSIGNIA A Sports Tourer (G09)	1.6 CDTi (35)	100	07/15 12/16
INSIGNIA A Sports Tourer (G09)	1.6 SIDI (35)	125	03/13 11/14
INSIGNIA A Sports Tourer (G09)	1.6 Turbo (35)	132	01/09 06/13
INSIGNIA A Sports Tourer (G09)	1.8 (35)	103	07/08 06/13
INSIGNIA A Sports Tourer (G09)	2.0 CDTI (35)	88	03/12 06/15
INSIGNIA A Sports Tourer (G09)	2.0 CDTI (35)	81	07/08 06/13
INSIGNIA A Sports Tourer (G09)	2.0 CDTI (35)	96	07/08 06/15
INSIGNIA A Sports Tourer (G09)	2.0 CDTI (35)	118	07/08 06/15
INSIGNIA A Sports Tourer (G09)	2.0 CDTI (35)	103	07/13 06/15
INSIGNIA A Sports Tourer (G09)	2.0 CDTI (35)	120	07/13 06/15
INSIGNIA A Sports Tourer (G09)	2.0 CDTI (35)	125	11/14 12/16
INSIGNIA A Sports Tourer (G09)	2.0 CDTI 4x4 (35)	118	06/10 06/15
INSIGNIA A Sports Tourer (G09)	2.0 CDTI 4x4 (35)	120	07/13 06/15
INSIGNIA A Sports Tourer (G09)	2.0 CDTI 4x4 (35)	125	11/14 12/16
INSIGNIA A Sports Tourer (G09)	2.0 Turbo (35)	184	04/14 11/14
ROEWE (SAIC)			
Model	Type	Kw	Year
950	2.0	108	07/12 12/15
950	2.4 TGI	137	07/12 12/15

950 3.0 V6 TGI 190 07/12 12/15

SAAB

Model	Type	Kw	Year
9-5 (YS3G)	1.6 Turbo	132	05/10 01/12
9-5 (YS3G)	2.0 t BioPower	162	05/10 01/12
9-5 (YS3G)	2.0 t BioPower XWD	162	05/10 01/12
9-5 (YS3G)	2.0 TiD	118	05/10 01/12
9-5 (YS3G)	2.0 TTiD	140	05/10 01/12
9-5 (YS3G)	2.0 TTiD XWD	140	05/10 01/12
9-5 (YS3G)	2.0 Turbo	162	05/10 01/12
9-5 (YS3G)	2.0 Turbo XWD	162	05/10 01/12
9-5 (YS3G)	2.8 Turbo V6 XWD	221	05/10 01/12

VAUXHALL

Model	Type	Kw	Year
INSIGNIA Mk I (A) Country Tourer (G09)	1.6 CDTI (47)	100	07/15 05/17
INSIGNIA Mk I (A) Country Tourer (G09)	2.0 CDTI	88	03/12 03/16
INSIGNIA Mk I (A) Country Tourer (G09)	2.0 CDTI (47)	120	07/13 05/17
INSIGNIA Mk I (A) Country Tourer (G09)	2.0 CDTI (47)	120	07/13 05/17
INSIGNIA Mk I (A) Country Tourer (G09)	2.0 CDTI (47)	125	11/14 05/17
INSIGNIA Mk I (A) Country Tourer (G09)	2.0 CDTI 4x4 (47)	125	11/14 05/17
INSIGNIA Mk I (A) Country Tourer (G09)	2.0 Turbo 4x4 (47)	184	09/11 05/17
INSIGNIA Mk I (A) Hatchback (G09)	1.4 (68)	103	04/11 05/17
INSIGNIA Mk I (A) Hatchback (G09)	1.4 LPG (68)	103	07/12 05/17
INSIGNIA Mk I (A) Hatchback (G09)	1.6	85	07/08 07/12
INSIGNIA Mk I (A) Hatchback (G09)	1.6 CDTi (68)	88	07/15 05/17
INSIGNIA Mk I (A) Hatchback (G09)	1.6 CDTI (68)	100	07/15 05/17
INSIGNIA Mk I (A) Hatchback (G09)	1.6 Turbo (68)	132	01/09 05/17
INSIGNIA Mk I (A) Hatchback (G09)	1.6 Turbo (68)	125	07/13 05/17
INSIGNIA Mk I (A) Hatchback (G09)	1.8 (68)	103	07/08 05/17
INSIGNIA Mk I (A) Hatchback (G09)	2.0 CDTI (68)	88	03/12 03/16
INSIGNIA Mk I (A) Hatchback (G09)	2.0 CDTI (68)	81	07/08 05/17
INSIGNIA Mk I (A) Hatchback (G09)	2.0 CDTI (68)	118	07/08 05/17
INSIGNIA Mk I (A) Hatchback (G09)	2.0 CDTI (68)	96	07/08 12/14
INSIGNIA Mk I (A) Hatchback (G09)	2.0 CDTI (68)	103	07/13 05/17

INSIGNIA Mk I (A) Hatchback (G09)	2.0 CDTI (68)	120	07/13 05/17
INSIGNIA Mk I (A) Hatchback (G09)	2.0 CDTI (68)	125	11/14 05/17
INSIGNIA Mk I (A) Hatchback (G09)	2.0 CDTI 4x4 (68)	118	07/08 05/17
INSIGNIA Mk I (A) Hatchback (G09)	2.0 CDTI 4x4 (68)	125	11/14 05/17
INSIGNIA Mk I (A) Hatchback (G09)	2.0 E85 Turbo (68)	162	09/10 05/17
INSIGNIA Mk I (A) Hatchback (G09)	2.0 Turbo (68)	184	04/14 05/17
INSIGNIA Mk I (A) Saloon (G09)	1.4 (69)	103	04/11 05/17
INSIGNIA Mk I (A) Saloon (G09)	1.4 LPG (69)	103	07/12 05/17
INSIGNIA Mk I (A) Saloon (G09)	1.6	85	07/08 07/12
INSIGNIA Mk I (A) Saloon (G09)	1.6 CDTi (69)	88	07/15 05/17
INSIGNIA Mk I (A) Saloon (G09)	1.6 CDTi (69)	100	07/15 05/17
INSIGNIA Mk I (A) Saloon (G09)	1.6 Turbo (69)	132	01/09 05/17
INSIGNIA Mk I (A) Saloon (G09)	1.8 (69)	103	07/08 05/17
INSIGNIA Mk I (A) Saloon (G09)	2.0 CDTI (69)	88	03/12 12/14
INSIGNIA Mk I (A) Saloon (G09)	2.0 CDTI (69)	81	07/08 05/17
INSIGNIA Mk I (A) Saloon (G09)	2.0 CDTI (69)	118	07/08 05/17
INSIGNIA Mk I (A) Saloon (G09)	2.0 CDTI (69)	96	07/08 12/14
INSIGNIA Mk I (A) Saloon (G09)	2.0 CDTI (69)	103	07/13 05/17
INSIGNIA Mk I (A) Saloon (G09)	2.0 CDTI (69)	120	07/13 05/17
INSIGNIA Mk I (A) Saloon (G09)	2.0 CDTI (69)	125	11/14 05/17
INSIGNIA Mk I (A) Saloon (G09)	2.0 CDTI 4x4 (69)	118	07/08 05/17
INSIGNIA Mk I (A) Saloon (G09)	2.0 CDTI 4x4 (69)	125	11/14 05/17
INSIGNIA Mk I (A) Saloon (G09)	2.0 E85 Turbo (69)	162	09/10 05/17
INSIGNIA Mk I (A) Saloon (G09)	2.0 Turbo (69)	184	09/11 05/17
INSIGNIA Mk I (A) Sports Tourer (G09)	1.4 (35)	103	04/11 05/17
INSIGNIA Mk I (A) Sports Tourer (G09)	1.4 LPG (35)	103	07/12 05/17
INSIGNIA Mk I (A) Sports Tourer (G09)	1.6	85	07/08 07/12
INSIGNIA Mk I (A) Sports Tourer (G09)	1.6 CDTI (35)	100	07/15 05/17
INSIGNIA Mk I (A) Sports Tourer (G09)	1.6 Turbo (35)	132	01/09 05/17
INSIGNIA Mk I (A) Sports Tourer (G09)	1.6 Turbo (35)	125	07/13 05/17
INSIGNIA Mk I (A) Sports Tourer (G09)	1.8 (35)	103	07/08 05/17
INSIGNIA Mk I (A) Sports Tourer (G09)	2.0 CDTI (35)	88	03/12 03/16
INSIGNIA Mk I (A) Sports Tourer (G09)	2.0 CDTI (35)	81	07/08 05/17
INSIGNIA Mk I (A) Sports Tourer (G09)	2.0 CDTI (35)	118	07/08 05/17

INSIGNIA Mk I (A) Sports Tourer (G09)	2.0 CDTI (35)	96	07/08 12/14
INSIGNIA Mk I (A) Sports Tourer (G09)	2.0 CDTI (35)	103	07/13 05/17
INSIGNIA Mk I (A) Sports Tourer (G09)	2.0 CDTI (35)	120	07/13 05/17
INSIGNIA Mk I (A) Sports Tourer (G09)	2.0 CDTI (35)	125	11/14 05/17
INSIGNIA Mk I (A) Sports Tourer (G09)	2.0 CDTI 4x4 (35)	118	07/08 05/17
INSIGNIA Mk I (A) Sports Tourer (G09)	2.0 CDTI 4x4 (35)	125	11/14 05/17
INSIGNIA Mk I (A) Sports Tourer (G09)	2.0 E85 Turbo (35)	162	09/10 05/17
INSIGNIA Mk I (A) Sports Tourer (G09)	2.0 Turbo (35)	184	04/14 05/17

OE Part number

Compatible OE codes

BUICK	16586609
CHEVROLET	22846359
CHEVROLET	22846363
CHEVROLET (SGM)	22846359
GENERAL MOTORS	13237765
GENERAL MOTORS	13343450
GENERAL MOTORS	13365958
GENERAL MOTORS	1605103
GENERAL MOTORS	1605130
GENERAL MOTORS	1605367
GENERAL MOTORS	542027
OPEL	13237765
OPEL	13343450
OPEL	13365958
OPEL	1605103
OPEL	1605130
OPEL	1605221
OPEL	1605319
OPEL	1605367
OPEL	16586609
OPEL	22846363
OPEL	39021482
OPEL	95515497

SAAB	13237768
------	----------

VAUXHALL	39021482
----------	----------

VAUXHALL	95515497
----------	----------
