



# BRAKE PAD

## P 65 032

The P 65 032 brake pad is synonymous with reliability

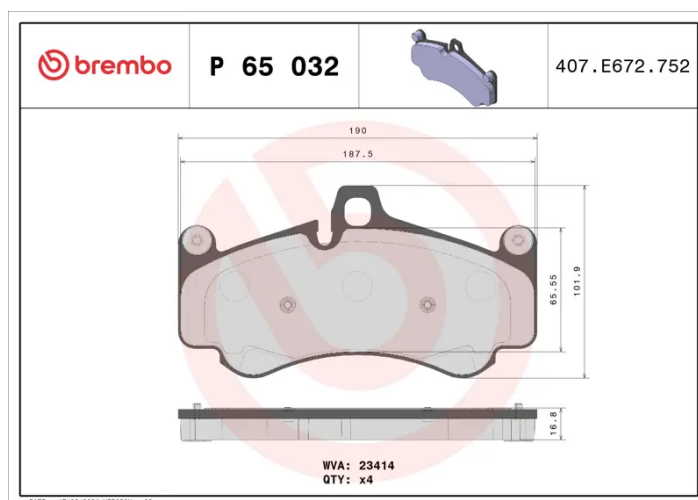
The Brembo brake pad guarantees ultimate safety when braking thanks to the use of more than 100 different compounds, designed according to the type of vehicle and use. Stopping distances reduced to a minimum, maximum driving comfort and silent operation are the most important features of Brembo materials. Brembo brake pads are supplied together with an extensive range of accessories and assembly kits for professional-standard installation.

- ✓ OE-equivalent
- ✓ Brembo quality
- ✓ ECE-R90 certificate
- ✓ Safety
- ✓ Performance
- ✓ Comfort



### Technical specifications

EAN code <b>8020584112618</b>	Axle <b>Front and rear</b>	Thickness <b>17 mm</b>
Width <b>190 mm</b>	Height <b>102 mm</b>	Braking system <b>Brembo</b>
Wear indicator <b>Prepared for wear indicator</b>	WVA number <b>23414</b>	Accessories <b>With anti-squeal shim With counterweights</b>



COMPATIBLE VEHICLES

## COMPATIBLE OE PART NUMBERS

99635194800	PORSCHE
-------------	---------

---

99635194801	PORSCHE
-------------	---------

---

99635194802	PORSCHE
-------------	---------

---

99735194700	PORSCHE
-------------	---------

---

99735194701	PORSCHE
-------------	---------

---

99735194702	PORSCHE
-------------	---------

---

450698451AJ	RAM
-------------	-----

---