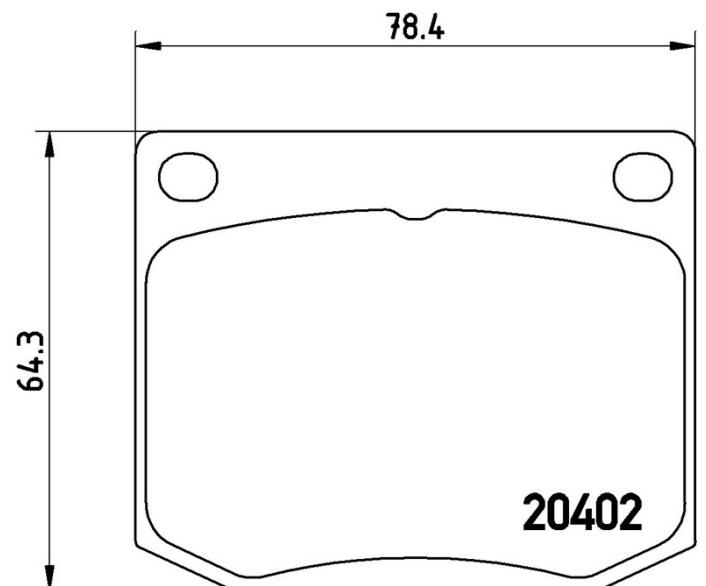


Pads technical data

Axle Front	WVA 20402
Width 78,35 mm	Thickness 14,2 mm
Height 64,3 mm	Braking system TRW-Lucas
Features	Wear indicator Without

EANCode
8020584057049



Compatible vehicles

SAAB				
Model	Type	Kw	Year	
90	2.0	74	08/84 08/87	
900 I (AC4, AM4)	2.0	80	09/83 03/84	
900 I (AC4, AM4)	2.0	74	10/85 09/88	
900 I (AC4, AM4)	2.0 -16	92	01/86 12/88	
900 I (AC4, AM4)	2.0 c	74	07/82 12/88	
900 I (AC4, AM4)	2.0 c	79	11/80 08/84	
900 I (AC4, AM4)	2.0 EMS	87	01/79 12/80	
900 I (AC4, AM4)	2.0 i	81	09/85 08/90	
900 I (AC4, AM4)	2.0 i	85	11/80 08/90	

900 I (AC4, AM4)	2.0 S Turbo-16	107	01/92 12/93
900 I (AC4, AM4)	2.0 Turbo	110	01/86 12/88
900 I (AC4, AM4)	2.0 Turbo	107	10/80 07/85
900 I (AC4, AM4)	2.0 Turbo	103	10/86 12/91
900 I (AC4, AM4)	2.0 Turbo-16	118	11/85 12/93
900 I (AC4, AM4)	2.0 Turbo-16 S	129	01/84 12/88
900 I Combi Coupe	2.0	74	04/84 10/91
900 I Combi Coupe	2.0	80	06/78 03/84
900 I Combi Coupe	2.0 -16	92	01/86 12/88
900 I Combi Coupe	2.0 c	79	09/78 08/84
900 I Combi Coupe	2.0 c	74	09/79 12/88
900 I Combi Coupe	2.0 EMS	87	09/78 08/79
900 I Combi Coupe	2.0 i	81	09/85 08/90
900 I Combi Coupe	2.0 i	85	11/80 12/88
900 I Combi Coupe	2.0 T8	114	10/86 09/89
900 I Combi Coupe	2.0 Turbo	110	01/86 12/88
900 I Combi Coupe	2.0 Turbo	107	09/78 07/85
900 I Combi Coupe	2.0 Turbo	103	10/86 12/91
900 I Combi Coupe	2.0 Turbo-16	118	11/85 06/94
900 I Combi Coupe	2.0 Turbo-16 S	129	02/84 12/88
900 I Convertible	2.0	81	10/85 09/89
900 I Convertible	2.0 Turbo-16	118	11/86 06/94
900 I Convertible	2.0 Turbo-16 S	129	11/86 06/94
99	2.0	70	10/72 08/74
99	2.0 EMS	81	04/72 08/74
99	2.0 EMS	87	09/74 12/78
99	2.0 GL	74	09/74 12/84
99 Combi Coupe	2.0	79	03/76 05/78
99 Combi Coupe	2.0 i	87	01/81 12/84
99 Combi Coupe	2.0 Turbo	107	10/77 06/80

OE Part number

Compatible OE codes

SAAB

4906632

SAAB	7874548
SAAB	8985236
SAAB	8993263
SAAB	8993776
SAAB	8993834
SAAB	8994998
SAAB	9102690
SAAB	9102708