

## Pads technical data

**Axle**  
Front

**WWA**  
22183, 22184, 22185

**Width**  
149,2 mm

**Thickness**  
17 mm

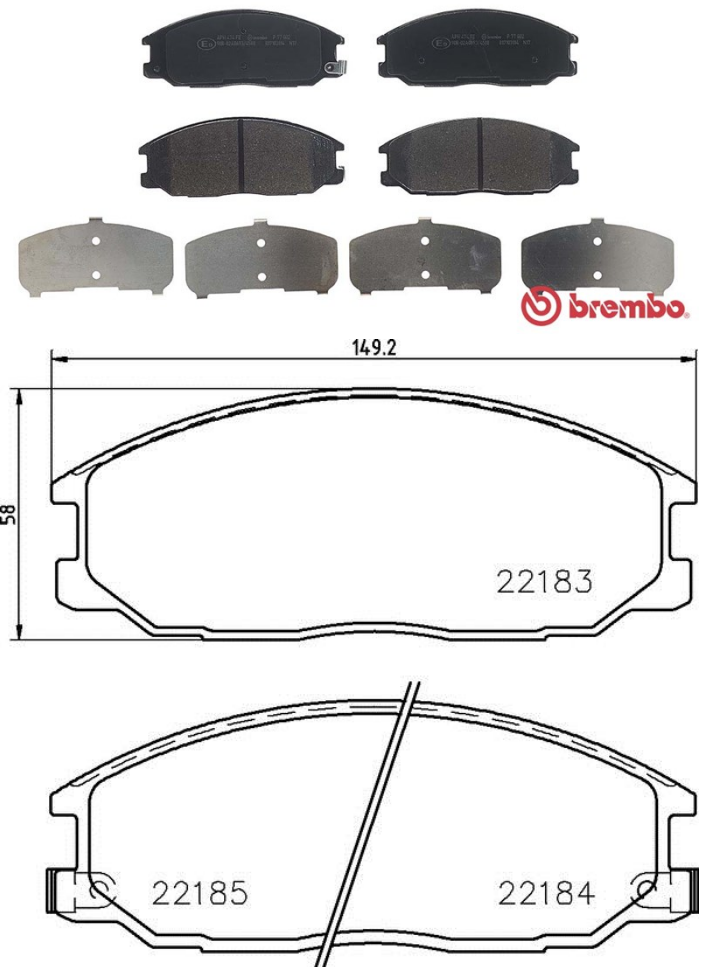
**Height**  
58 mm

**Braking system**  
Mando

**Features**

**Wear indicator**  
Acoustic

**EANCode**  
8020584086940



## Compatible vehicles

### SSANGYONG

Model	Type	Kw	Year
ACTYON SPORTS II	2.0 Xdi	114	10/12 -
ACTYON SPORTS II	2.0 Xdi 4WD	114	10/12 -
ACTYON SPORTS II	2.2 Xdi	131	07/15 -
ACTYON SPORTS II	2.2 Xdi 4WD	131	07/15 -
REXTON / REXTON II (GAB_)	2.7 Xdi 4x4	121	05/04 05/12
REXTON W	2.0 Xdi	114	07/12 -
REXTON W	2.0 Xdi All-wheel Drive	114	07/12 -
REXTON W	2.2 Xdi	131	07/15 -
REXTON W	2.2 Xdi All-wheel Drive	131	07/15 -
REXTON W	2.7 Xdi All-wheel Drive	121	07/12 -
REXTON W	2.7 Xdi All-wheel Drive	137	10/12 -

## OE Part number

### Compatible OE codes

SSANGYONG

4813008BA0

---