

Pads P 82 003



Pads technical data

Axle
Front

WVA
25508

Width
144,1 mm

Thickness
17,1 mm

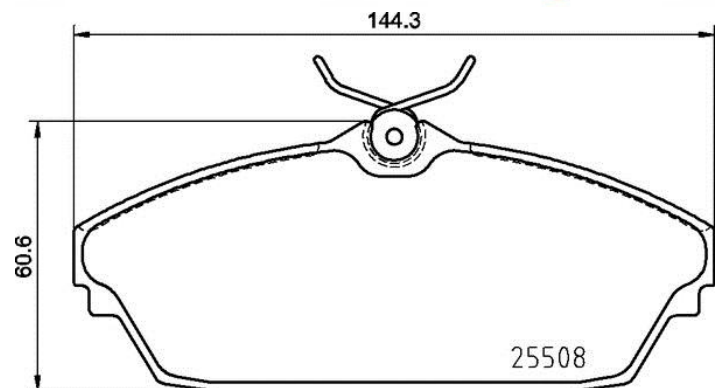
Height
60,8 mm

Braking system
Lucas

Features
With accessories
With anti noise shim

Wear indicator
Without

EANCode
8020584084809



Compatible vehicles

TATA

Model	Type	Kw	Year
XENON Pickup	2.2 DiCOR	103	01/09 -
XENON Pickup	2.2 DiCOR	110	10/13 -
XENON Pickup	2.2 DiCOR 4x4	103	01/09 -
XENON Pickup	2.2 DiCOR 4x4	110	10/13 -

OE Part number

Compatible OE codes

TATA

271942100114