

## Pads technical data

**Axle**  
Front

**WVA**  
23202, 24022, 24023

**Width**  
150,1 - 151,3 mm

**Thickness**  
17,7 mm

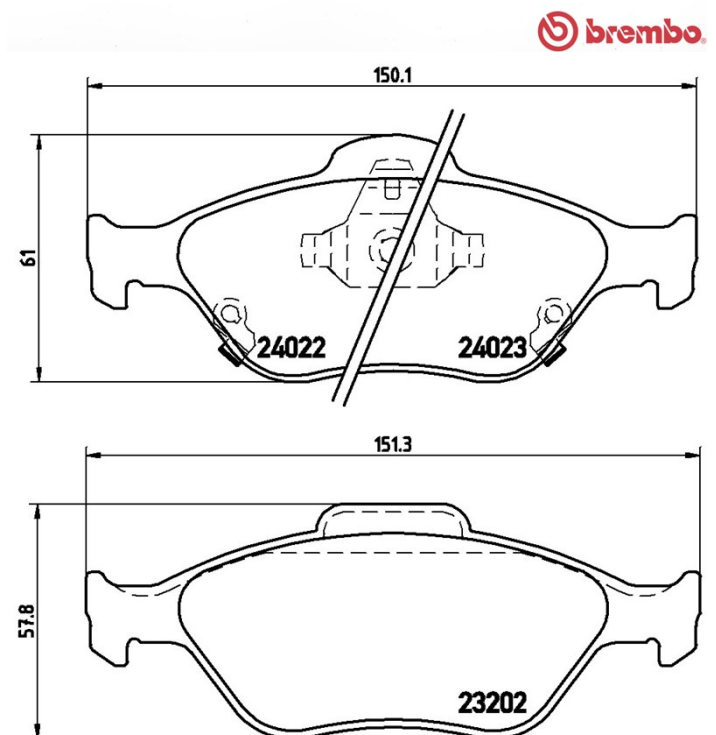
**Height**  
57,8 - 61 mm

**Braking system**  
Teves

**Features**

**Wear indicator**  
Acoustic

**EA NCode**  
8020584062234



## Compatible vehicles

### DAIHATSU

Model	Type	Kw	Year
CHARADE	1.33 16V	73	05/11 -

### TOYOTA

Model	Type	Kw	Year
YARIS (_P13_)	1.0 (KSP130)	53	06/18 -
YARIS (_P13_)	1.0 (KSP130_)	51	12/10 -
YARIS (_P13_)	1.3 (NSP130)	73	09/11 -
YARIS (_P13_)	1.3 (NSP130_)	70	12/10 -
YARIS (_P13_)	1.3 4WD (NSP135_)	70	12/10 -

YARIS (_P13_)	1.4 D (NLP130_)	66	09/11 -
YARIS (_P9_)	1.0 GPL (KSP90_)	51	01/06 12/11
YARIS (_P9_)	1.0 VVT-i (KSP90_)	51	08/05 12/11
YARIS (_P9_)	1.3 VVT-i (NCP90_)	63	11/05 12/12
YARIS (_P9_)	1.3 VVT-i (SCP90_)	64	08/05 11/10
YARIS (_P9_)	1.33 VVT-i (NSP90_)	73	07/10 05/11
YARIS (_P9_)	1.33 VVT-i (NSP90_)	74	11/08 12/11
YARIS (_P9_)	1.4 D-4D (NLP90_)	66	08/05 12/12
YARIS Box (_P13_)	1.0 VVTi (KSP130)	51	07/14 -
YARIS Box (_P13_)	1.4 D4d (NLP130)	66	07/14 -

## OE Part number

### Compatible OE codes

DAIHATSU	044650D050000
TOYOTA	044650D050
TOYOTA	044650D210
TOYOTA	04465YZZDS