

Pads technical data

Axle
Rear

WWA
22307

Width
129,1 mm

Thickness
17 mm

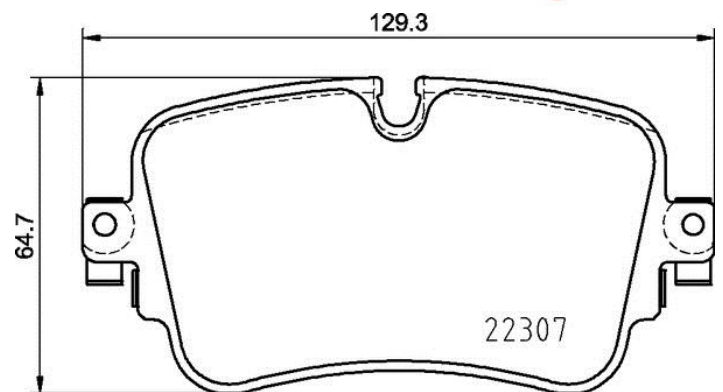
Height
65,05 mm

Braking system
TRW

Features
With brake caliper screws

Wear indicator
Acoustic

EANCode
8020584084793



Compatible vehicles

AUDI

Model	Type	Kw	Year
A6 (4A2, C8)	40 TDI Mild Hybrid	150	02/18 -
A6 (4A2, C8)	40 TDI Mild Hybrid quattro	150	07/18 -
A6 (4A2, C8)	45 TDI Mild Hybrid quattro	155	07/18 -
A6 (4A2, C8)	45 TDI Mild Hybrid quattro	170	07/18 -
A6 (4A2, C8)	45 TFSI Mild Hybrid	180	08/18 -
A6 (4A2, C8)	50 TDI Mild Hybrid quattro	210	02/18 -
A6 (4A2, C8)	55 TFSi Mild Hybrid quattro	250	02/18 -
A6 Avant (4A5, C8)	40 TDI Mild Hybrid	150	05/18 -
A6 Avant (4A5, C8)	40 TDI Mild Hybrid quattro	150	07/18 -
A6 Avant (4A5, C8)	45 TDI Mild Hybrid quattro	170	05/18 -
A6 Avant (4A5, C8)	45 TFSI Mild Hybrid quattro	180	08/18 -
A6 Avant (4A5, C8)	50 TDI Mild Hybrid quattro	210	05/18 -

A6 Avant (4A5, C8)	55 TFSI Mild Hybrid quattro	250	05/18 -
A7 Sportback (4KA)	40 TDI Mild Hybrid	150	09/18 -
A7 Sportback (4KA)	40 TDI Mild Hybrid quattro	150	09/18 -
A7 Sportback (4KA)	45 TFSI Mild Hybrid	180	07/18 -
A7 Sportback (4KA)	55 TFSI Mild Hybrid quattro	250	10/17 -
A8 (4H2, 4H8, 4HC, 4HL)	2.0 TFSI hybrid	155	02/12 11/15
A8 (4H2, 4H8, 4HC, 4HL)	2.5 TFSI	150	07/12 06/16
A8 (4H2, 4H8, 4HC, 4HL)	3.0 TDI	150	09/11 09/13
A8 (4H2, 4H8, 4HC, 4HL)	3.0 TDI quattro	193	05/15 01/18
A8 (4H2, 4H8, 4HC, 4HL)	3.0 TDI quattro	184	07/10 01/18
A8 (4H2, 4H8, 4HC, 4HL)	3.0 TDI quattro	155	08/10 11/15
A8 (4H2, 4H8, 4HC, 4HL)	3.0 TDI quattro	190	10/13 01/18
A8 (4H2, 4H8, 4HC, 4HL)	3.0 TDI quattro	176	11/12 06/16
A8 (4H2, 4H8, 4HC, 4HL)	3.0 TFSI quattro	245	06/10 01/18
A8 (4H2, 4H8, 4HC, 4HL)	3.0 TFSI quattro	213	07/10 04/14
A8 (4H2, 4H8, 4HC, 4HL)	3.0 TFSI quattro	228	11/11 01/18
A8 (4H2, 4H8, 4HC, 4HL)	4.0 TFSI quattro	320	10/13 12/15
A8 (4H2, 4H8, 4HC, 4HL)	4.0 TFSI quattro	309	03/12 12/14
A8 (4H2, 4H8, 4HC, 4HL)	4.2 FSI quattro	273	11/09 12/12
A8 (4H2, 4H8, 4HC, 4HL)	4.2 TDI quattro	283	10/13 01/18
A8 (4H2, 4H8, 4HC, 4HL)	4.2 TDI quattro	258	11/09 04/14
A8 (4H2, 4H8, 4HC, 4HL)	6.3 W12 quattro	368	01/11 01/18
A8 (4H2, 4H8, 4HC, 4HL)	S8 plus quattro	445	11/15 01/18
A8 (4H2, 4H8, 4HC, 4HL)	S8 quattro	382	04/12 01/18
A8 (4N2, 4N8)	50 TDI Mild Hybrid quattro	210	06/17 -
A8 (4N2, 4N8)	55 TFSI Mild Hybrid quattro	250	06/17 -
E-TRON (GEN_)	Electric quattro	300	09/18 -
Q7 (4MB)	2.0 TFSI e-tron quattro	185	04/17 -
Q7 (4MB)	2.0 TFSI quattro	185	08/15 -
Q7 (4MB)	3.0 TDI e-tron quattro	190	08/15 -
Q7 (4MB)	3.0 TDI quattro	160	05/15 -

Q7 (4MB)	3.0 TDI quattro	183	06/15 -
Q7 (4MB)	3.0 TDI quattro	200	06/15 -
Q7 (4MB)	3.0 TDI quattro	155	08/15 -
Q7 (4MB)	3.0 TDI quattro	190	08/15 -
Q7 (4MB)	3.0 TFSI quattro	245	01/15 -
Q7 (4MB)	45 TDI Mild Hybrid quattro	170	07/18 -
Q7 (4MB)	50 TDI Mild Hybrid quattro	210	07/18 -
Q7 (4MB)	SQ7 TDI quattro	320	04/16 -
Q8 (4MN)	50 TDI Mild Hybrid quattro	210	07/18 -
Q8 (4MN)	55 TFSI Mild Hybrid quattro	250	02/18 -

VW

Model	Type	Kw	Year
TOUAREG (CR7)	3.0 TDI	210	11/17 -
TOUAREG (CR7)	3.0 TDI 4motion	170	05/18 -

OE Part number

Compatible OE codes

AUDI	4KE698451A
AUDI	4M0698451F
AUDI	4M0698451G
AUDI	4M0698451M
AUDI	4M0698451N
AUDI	4M0698451P
AUDI	4M0698451R
AUDI	4N0698451C
SEAT	4M0698451F
SEAT	4M0698451G
SEAT	4M0698451M
SEAT	4M0698451N
SEAT	4M0698451P
SEAT	4M0698451R
SKODA	4M0698451F

SKODA	4M0698451G
SKODA	4M0698451M
SKODA	4M0698451N
SKODA	4M0698451P
SKODA	4M0698451R
VW	4M0698451F
VW	4M0698451G
VW	4M0698451M
VW	4M0698451N
VW	4M0698451P
VW	4M0698451R