

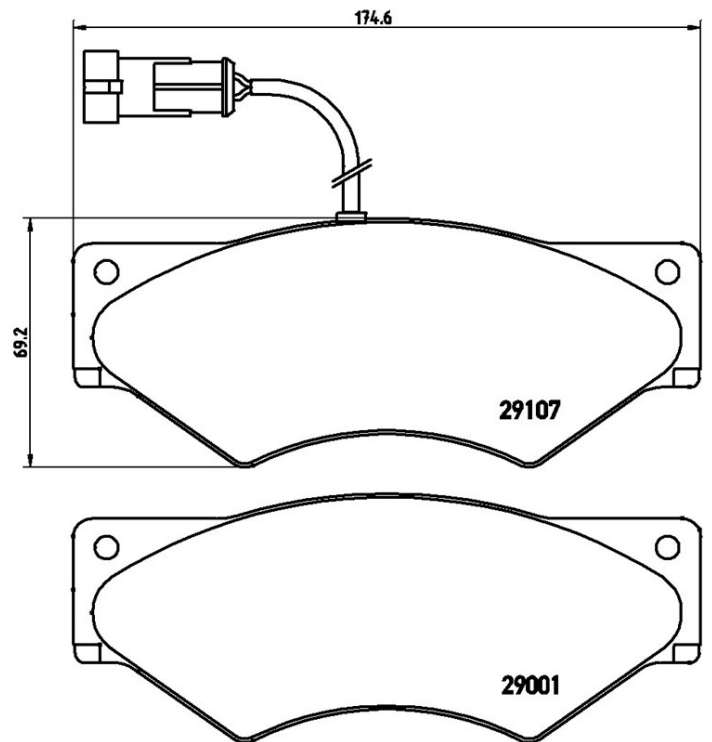
# Pads P A6 018



## Pads technical data

|                          |  |
|--------------------------|--|
| <b>Axle</b><br>Front     | <b>WVA</b><br>29001, 29107             |
| <b>Width</b><br>174,6 mm | <b>Thickness</b><br>20 mm              |
| <b>Height</b><br>69,2 mm | <b>Braking system</b><br>Wabco 450 F-I |
| <b>Features</b>          | <b>Wear indicator</b><br>Electric      |

**EANCode**  
8020584059289



## Compatible vehicles

### IVECO

| Model                      | Type   | Kw | Year        |
|----------------------------|--|----|-------------|
| DAILY II Box Body / Estate | 59-12 V (15174404, 15174411, 15174415, 15174417)             | 90 | 05/96 05/99 |
| DAILY II Dumptruck         | 59-12 K (15176211, 15176304, 15176311, 15176315,...)         | 90 | 05/96 05/99 |
| DAILY II Platform/Chassis  | 59-12 (15170211, 15170304, 15170311, 15170504, 15170511,...) | 90 | 05/96 05/99 |

## OE Part number

Compatible OE codes

