



## SA BRAKE PAD 07YA23SA

The 07YA23SA brake pad is synonymous with reliability

Sintered compound, specific for front application, characterised by excellent efficiency in all conditions of use. It is the ideal alternative to original pads. This compound is characterised by low wear which guarantees long life and suitable mileage.

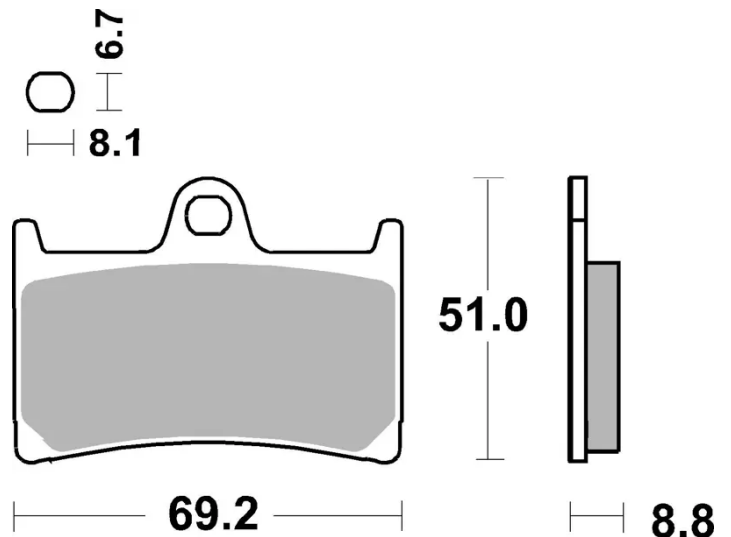
- ✓ OE-equivalent
- ✓ Brembo quality
- ✓ ECE-R90 certificate
- ✓ Safety
- ✓ Performance
- ✓ Comfort



### Technical specifications

Width	Height	Thickness
mm	<b>51,03</b> mm	<b>8,8</b> mm

Compound	Units per box
<b>Sinter</b>	<b>2</b>



COMPATIBLE VEHICLES