



BRAKE PAD

P 23 162

The P 23 162 brake pad is synonymous with reliability

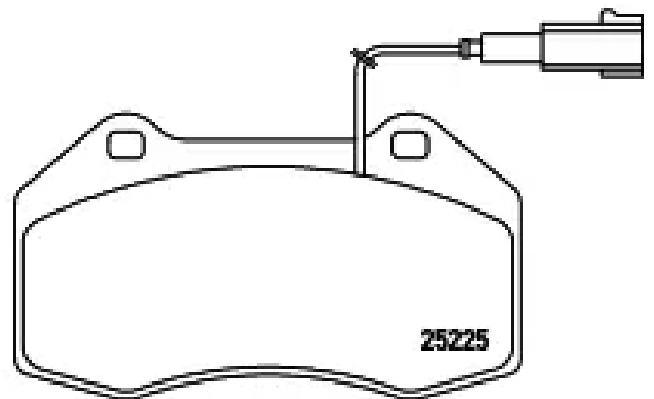
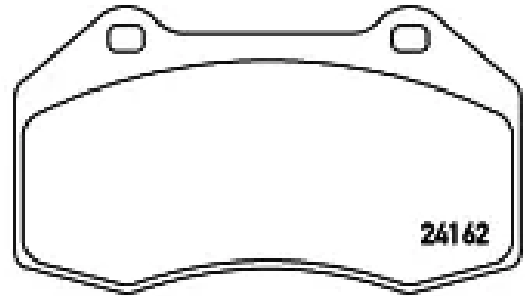
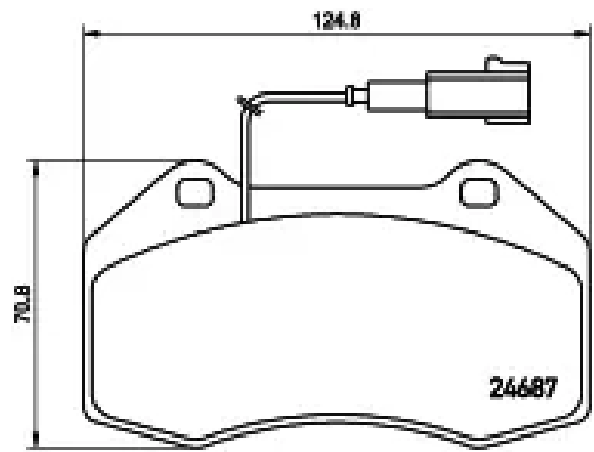
The Brembo brake pad guarantees ultimate safety when braking thanks to the use of more than 100 different compounds, designed according to the type of vehicle and use. Stopping distances reduced to a minimum, maximum driving comfort and silent operation are the most important features of Brembo materials. Brembo brake pads are supplied together with an extensive range of accessories and assembly kits for professional-standard installation.

- ✓ OE-equivalent
- ✓ Brembo quality
- ✓ ECE-R90 certificate
- ✓ Safety
- ✓ Performance
- ✓ Comfort



Technical specifications

EAN code	Axle	Thickness
8020584080184	Front	15 mm
Width	Height	Braking system
125 mm	71 mm	Brembo
Wear indicator	WVA number	Accessories
Electric	24162,24687,25225	With anti-squeal shim



COMPATIBLE VEHICLES

COMPATIBLE OE PART NUMBERS

0000077366718	ALFA ROMEO
0000077367517	ALFA ROMEO
77366718	ALFA ROMEO
77367517	ALFA ROMEO