



BRAKE DISC

08.1432.10

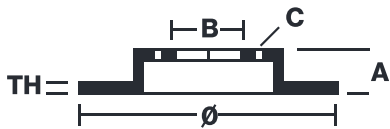
The 08.1432.10 brake disc is synonymous with reliability

The Brembo brake disc is fully interchangeable with an Original Equipment brake disc. The control of the entire production cycle allows Brembo to offer brake discs with outstanding performance levels, reliability, durability and comfort in all conditions of use. All Brembo brake discs are accompanied by the ECE-R90 homologation.

- ✓ OE-equivalent
- ✓ Brembo quality
- ✓ ECE-R90 certificate
- ✓ Safety



Technical specifications



EAN code
8020584143216

Axle
Front

Diameter Ø
240 mm

Thickness (TH)
10 mm

Height (A)
59 mm

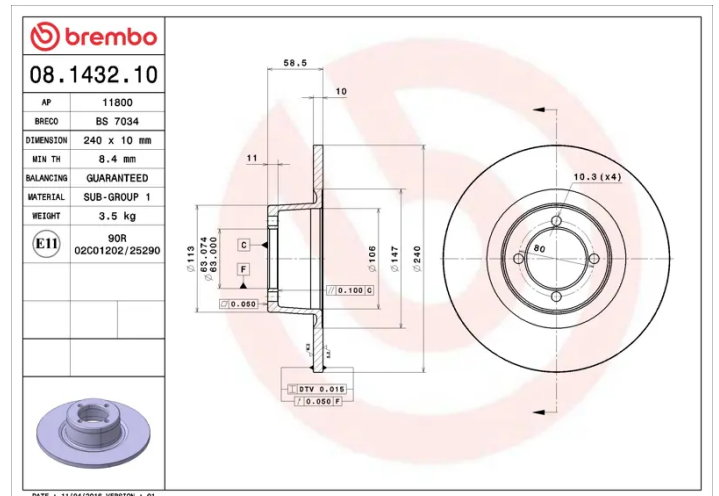
Number of holes (C)
4

Brake disc type
Solid

Centering (B)
63 mm

Min. thickness
8,4 mm

Tightening torque
98 Nm



COMPATIBLE VEHICLES

COMPATIBLE OE PART NUMBERS

31111117422	BMW
-------------	-----

34111104944	BMW
-------------	-----

34111117422	BMW
-------------	-----

34111153179	BMW
-------------	-----
