



BRAKE DISC

08.A351.10

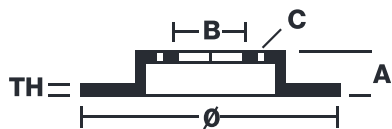
The **08.A351.10** brake disc is synonymous with reliability

The Brembo brake disc is fully interchangeable with an Original Equipment brake disc. The control of the entire production cycle allows Brembo to offer brake discs with outstanding performance levels, reliability, durability and comfort in all conditions of use. All Brembo brake discs are accompanied by the ECE-R90 homologation.

- ✓ OE-equivalent
- ✓ Brembo quality
- ✓ ECE-R90 certificate
- ✓ Safety



Technical specifications



EAN code
8020584019061

Axle
Rear

Diameter Ø
290 mm

Thickness (TH)
12,5 mm

Height (A)
56 mm

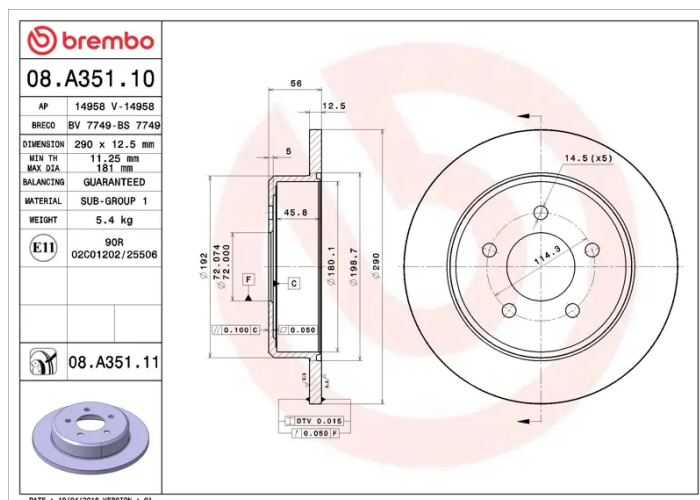
Number of holes (C)
5

Brake disc type
Solid

Centering (B)
72 mm

Min. thickness
11,3 mm

Tightening torque
129 Nm



COMPATIBLE VEHICLES

COMPATIBLE OE PART NUMBERS

4721023	CHRYSLER
---------	----------

4721023AC	CHRYSLER
-----------	----------

4721023AD	CHRYSLER
-----------	----------

4721023AE	CHRYSLER
-----------	----------

4721023AF	CHRYSLER
-----------	----------

4721023AG	CHRYSLER
-----------	----------

4721220AA	CHRYSLER
-----------	----------

4721023AF	DODGE
-----------	-------

4721023AG	DODGE
-----------	-------

4721220AA	DODGE
-----------	-------

2AMV8411AA	JEEP
------------	------