



BRAKE DISC

09.5782.10

The **09.5782.10** brake disc is synonymous with reliability

The Brembo brake disc is fully interchangeable with an Original Equipment brake disc. The control of the entire production cycle allows Brembo to offer brake discs with outstanding performance levels, reliability, durability and comfort in all conditions of use. All Brembo brake discs are accompanied by the ECE-R90 homologation.

- ✓ OE-equivalent
- ✓ Brembo quality
- ✓ ECE-R90 certificate
- ✓ Safety
- ✓ High carbon



Technical specifications



EAN code
8020584578216

Axle
Front

Diameter Ø
282 mm

Thickness (TH)
20,4 mm

Height (A)
35 mm

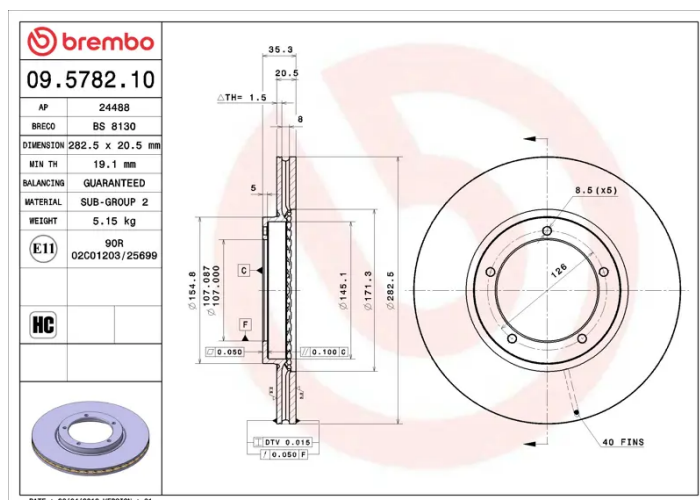
Number of holes (C)
5

Brake disc type
Ventilated

Centering (B)
107 mm

Min. thickness
19,1 mm

Tightening torque
130 Nm



COMPATIBLE VEHICLES

COMPATIBLE OE PART NUMBERS

477405083A PORSCHE

477405083B PORSCHE

477405083D PORSCHE

90135104116 PORSCHE

90135104118 PORSCHE

90135104120 PORSCHE

90135140115 PORSCHE

90135140116 PORSCHE

91135104118 PORSCHE

91135104120 PORSCHE
