



BRAKE DISC XTRA

09.7812.2X

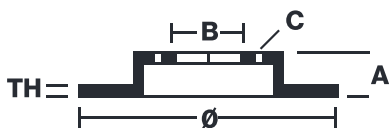
The 09.7812.2X Xtra brake disc is synonymous with reliability

The Brembo Xtra brake disc features holes on the braking surface. The holes are designed to improve the cooling of the braking system, to generate greater fading resistance and grip in the initial stages of braking. The sports look is also enhanced by the presence of the UV paint.

- ✓ Brembo quality
- ✓ ECE-R90 certificate
- ✓ Performance
- ✓ Sports driving
- ✓ Sporty look
- ✓ High carbon
- ✓ Anti-corrosion
- ✓ PVT ventilation



Technical specifications



EAN code
8020584217740

Axle
Front

Diameter Ø
326 mm

Thickness (TH)
30 mm

Height (A)
53 mm

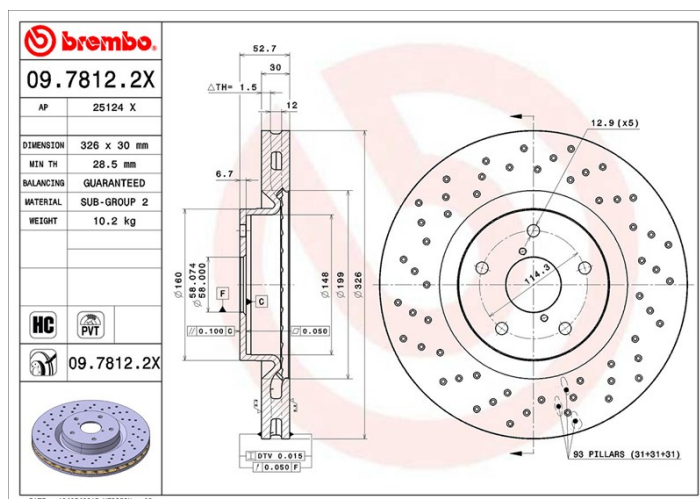
Number of holes (C)
5

Brake disc type
Ventilated

Centering (B)
58 mm

Min. thickness
28,5 mm

Tightening torque
100 Nm



COMPATIBLE OE PART NUMBERS

26300FE070

SUBARU

SU00306805

SUBARU
