



BRAKE DISC XTRA

09.8304.1X

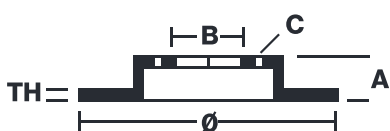
The 09.8304.1X Xtra brake disc is synonymous with reliability

The Brembo Xtra brake disc features holes on the braking surface. The holes are designed to improve the cooling of the braking system, to generate greater fading resistance and grip in the initial stages of braking. The sports look is also enhanced by the presence of the UV paint.

- ✓ Brembo quality
- ✓ ECE-R90 certificate
- ✓ Performance
- ✓ Sports driving
- ✓ Sporty look
- ✓ High carbon
- ✓ Anti-corrosion
- ✓ PVT ventilation
- ✓ Fastening screws



Technical specifications



EAN code
8020584217641

Axle
Front

Diameter Ø
300 mm

Thickness (TH)
28 mm

Height (A)
47 mm

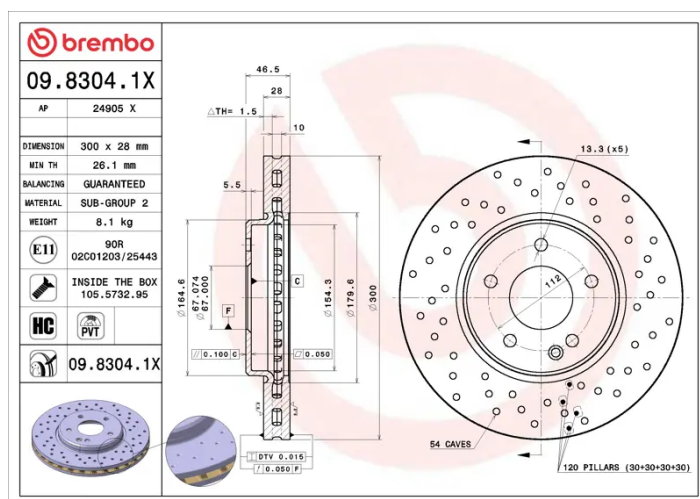
Number of holes (C)
5

Brake disc type
Ventilated

Centering (B)
67 mm

Min. thickness
26,1 mm

Tightening torque
110 Nm



COMPATIBLE VEHICLES

COMPATIBLE OE PART NUMBERS

5098063AA CHRYSLER

5098064AA CHRYSLER

5098064AB CHRYSLER

5098064AC CHRYSLER

2104210212 MERCEDES-BENZ

2104211212 MERCEDES-BENZ

2104211512 MERCEDES-BENZ

2104212212 MERCEDES-BENZ

2104212512 MERCEDES-BENZ

A2104211212 MERCEDES-BENZ

A2104211512 MERCEDES-BENZ

A2104212212 MERCEDES-BENZ

A2104212512 MERCEDES-BENZ
