



# BRAKE DISC PAINTED

## 09.A401.11

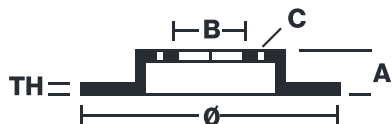
The **09.A401.11** painted brake disc is synonymous with reliability

The Brembo brake disc with special UV paint treatment guarantees superior corrosion resistance for the product, thanks to the protective coating on the outer edges and on the disc hub. The UV paint not only gives the disc a clean, shiny appearance but is also beneficial for the environment as the water-based UV paint treatment does not require the use of chemical solvents and is a low energy consumption process.

- ✓ OE-equivalent
- ✓ Brembo quality
- ✓ ECE-R90 certificate
- ✓ Safety
- ✓ Anti-corrosion

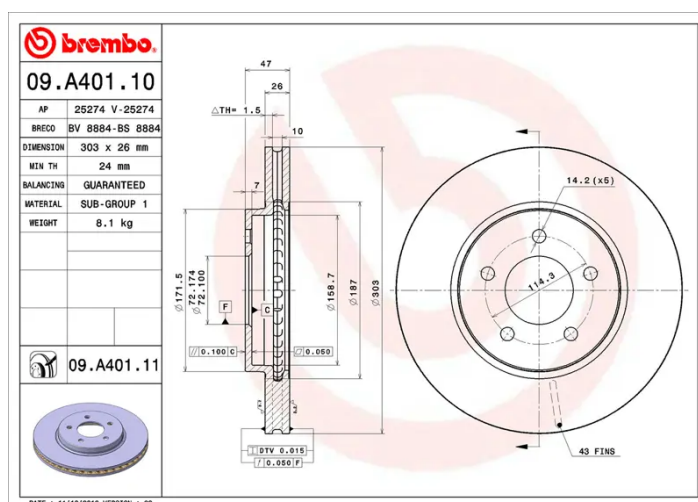


### Technical specifications



EAN code	Axle	Diameter Ø
<b>8020584032107</b>	<b>Front</b>	<b>303 mm</b>
Thickness (TH)	Height (A)	Number of holes (C)
<b>26 mm</b>	<b>47 mm</b>	<b>5</b>
Brake disc type	Centering (B)	Min. thickness
<b>Ventilated</b>	<b>72 mm</b>	<b>24 mm</b>

Tightening torque  
**133 Nm**



**COMPATIBLE VEHICLES**

## COMPATIBLE OE PART NUMBERS

4510722 FORD

---

4668070 FORD

---

5135519 FORD

---

5185249 FORD

---

5L841032AB FORD

---

5L841032AC FORD

---

5L841032AD FORD

---

5L841032AE FORD

---

5L8Z1125AA FORD

---

5L841032AC FORD USA

---

5L8Z1125AA FORD USA

---

AL8Z1125A FORD USA

---

EF913325X MAZDA

---

EF913325XA MAZDA

---

EF913325XB MAZDA

---

EF913325XC MAZDA

---