



# BRAKE DISC PAINTED

## 09.B971.11

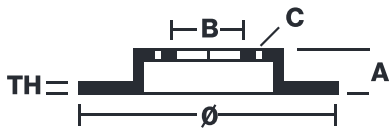
The 09.B971.11 painted brake disc is synonymous with reliability

The Brembo brake disc with special UV paint treatment guarantees superior corrosion resistance for the product, thanks to the protective coating on the outer edges and on the disc hub. The UV paint not only gives the disc a clean, shiny appearance but is also beneficial for the environment as the water-based UV paint treatment does not require the use of chemical solvents and is a low energy consumption process.

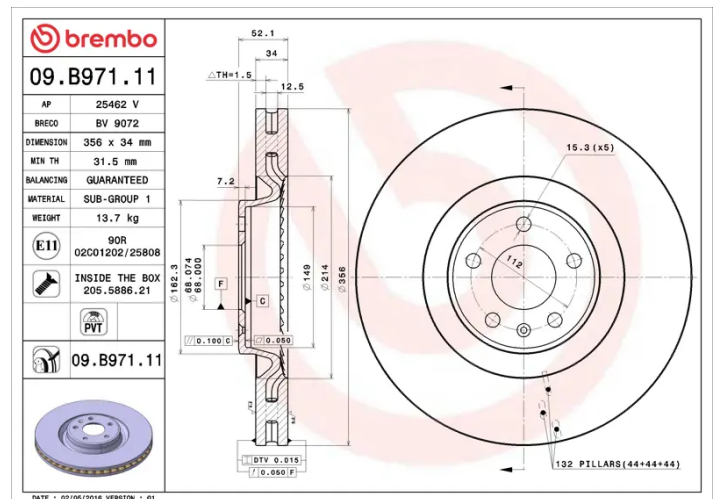
- ✓ OE-equivalent
- ✓ Brembo quality
- ✓ ECE-R90 certificate
- ✓ Safety
- ✓ Anti-corrosion
- ✓ PVT ventilation
- ✓ Fastening screws



### Technical specifications



EAN code <b>8020584218372</b>	Axle <b>Front</b>	Diameter Ø <b>356 mm</b>
Thickness (TH) <b>34 mm</b>	Height (A) <b>52 mm</b>	Number of holes (C) <b>5</b>
Brake disc type <b>Ventilated</b>	Centering (B) <b>68 mm</b>	Min. thickness <b>31,5 mm</b>



**COMPATIBLE VEHICLES**

## COMPATIBLE OE PART NUMBERS

4G0615301A	AUDI
------------	------

4G0615301K	AUDI
------------	------

4G0615301T	AUDI
------------	------

4H0615301F	AUDI
------------	------

4H0615301K	AUDI
------------	------

4H0615301R	AUDI
------------	------

4G0615301A	AUDI (FAW)
------------	------------

4G0615301K	AUDI (FAW)
------------	------------

4G0615301T	AUDI (FAW)
------------	------------

4G0615301K	VW (SVW)
------------	----------

4G0615301T	VW (SVW)
------------	----------