



BRAKE DISC LIGHTWEIGHT

09.C982.23

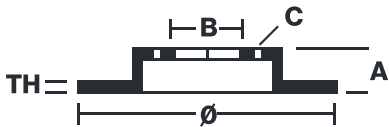
LightWeight brake disc 09.C982.23 belongs to Brembo Premium Line

The LightWeight brake disc solution is characterised by a high-carbon cast iron braking surface connected by pressure to the steel hat. It is up to 15% lighter than an equivalent integral disc. As a result, it significantly improves the road behaviour of the vehicle and reduces fuel consumption and emissions as well.

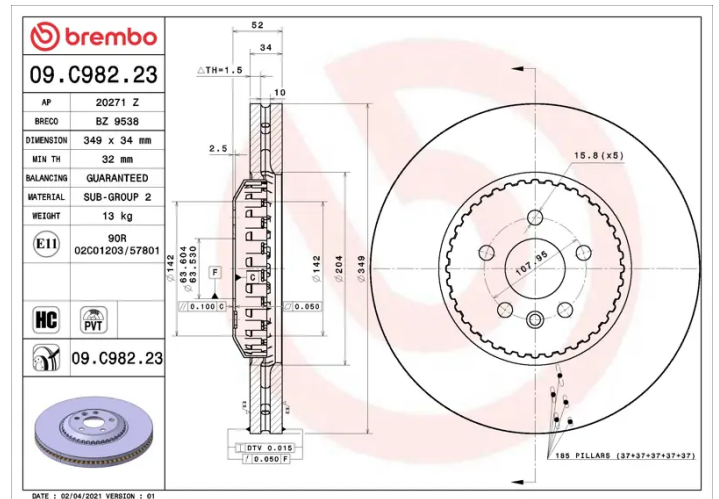
- ✓ OE-equivalent
- ✓ Brembo quality
- ✓ ECE-R90 certificate
- ✓ Weight reduction
- ✓ High carbon
- ✓ Bi-Material Brake Disc
- ✓ Anti-corrosion
- ✓ Fading resistance



Technical specifications



EAN code 8020584316009	Axle Front	Diameter Ø 349 mm
Thickness (TH) 34 mm	Height (A) 52 mm	Number of holes (C) 5
Brake disc type Ventilated	Centering (B) 64 mm	Min. thickness 32 mm



COMPATIBLE OE PART NUMBERS

LR115006 LAND ROVER

LR161912 LAND ROVER
