



DRUM

14.A684.10

The 14.A684.10 drum is synonymous with reliability

Brembo has developed several design solutions for drum brakes which combine multiple materials to reduce the overall weight. The most popular range of lamellar graphite cast iron drums is supplemented by cast iron drums with a steel sprocket flange and aluminium drums, whereby only the inner part of the drum on which the shoes operate are made of lamellar cast iron, namely the brake band. Additionally drums with built-in bearing kit and hub are added to this range.



- ✓ OE-equivalent
- ✓ Brembo quality
- ✓ Safety
- ✓ Durability

Technical specifications

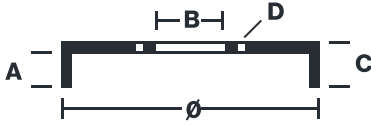


CHRYSLER P.N.:4383117/4423370

14.A684.10

CUSTOMER P.N.:.....

Date 23.06.08



EAN code
8020584017166

Axle
Rear

Diameter
228 mm

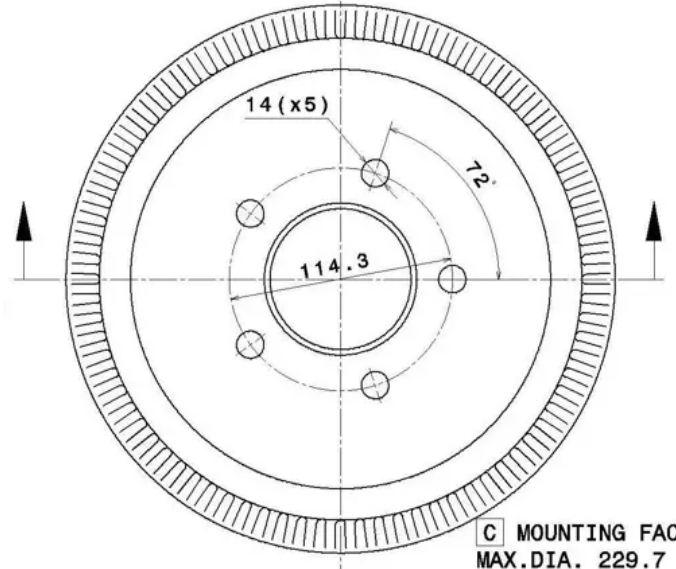
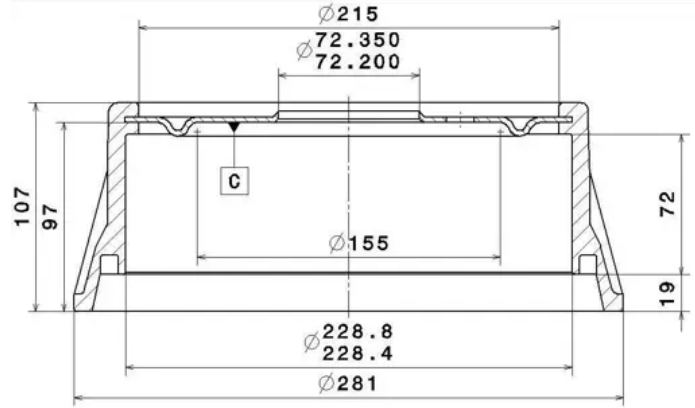
Width
72 mm

Height
107

Number of holes
5

Centering
72,3 mm

Max diameter
229,7 mm



C MOUNTING FACE
MAX.DIA. 229.7 mm
Weight 7.6 Kg

COMPATIBLE VEHICLES

COMPATIBLE OE PART NUMBERS

4383117	CHRYSLER
4423370	CHRYSLER
4383117	DODGE
4423370	DODGE
4383117	PLYMOUTH
4423370	PLYMOUTH