

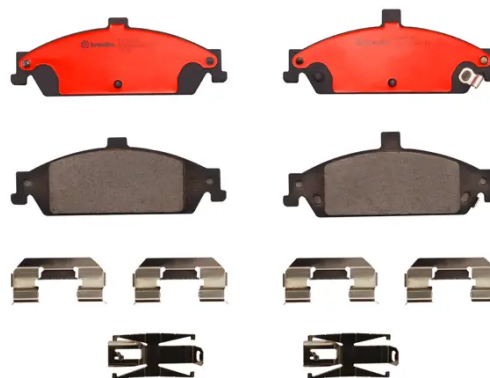


BRAKE PAD PRIME CERAMIC P10023N

The P10023N NAO brake pad is synonymous with reliability

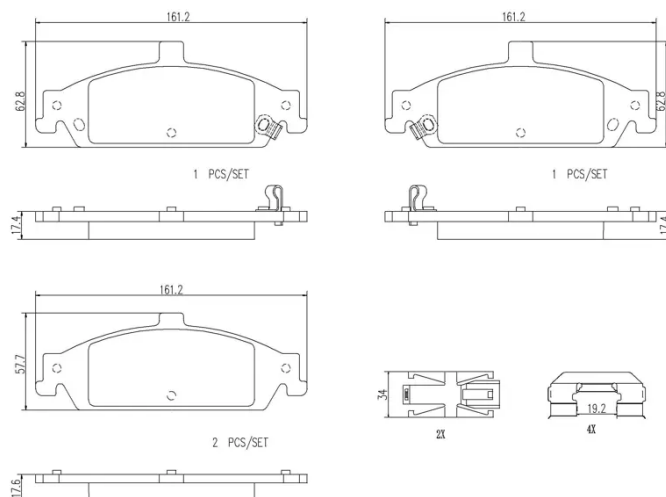
Brembo NAO brake pads stand out for their ultimate braking comfort, reduced friction wear and low dust mission, which makes for cleaner rims and reduced maintenance requirements. The advanced friction material in keeping with the strictest environmental standards is the main distinguishing feature of NAO compounds.

- ✓ OE-equivalent
- ✓ Brembo quality
- ✓ Safety
- ✓ Comfort
- ✓ Durability
- ✓ Dust reduction
- ✓ With accessories



Technical specifications

EAN code 8020584096147	Axle Front	Thickness 17 mm
Width 161 mm	Height 58 mm	Braking system Teves
Wear indicator Acoustic	WVA number 25304,25305,25306	Accessories With anti-squeal shim



COMPATIBLE VEHICLES

COMPATIBLE OE PART NUMBERS

18025186 CHEVROLET

18026185 CHEVROLET

18029765 CHEVROLET

18044437 CHEVROLET

18044437 PONTIAC
