



# BRAKE PAD PRIME CERAMIC P50130N

The P50130N NAO brake pad is synonymous with reliability

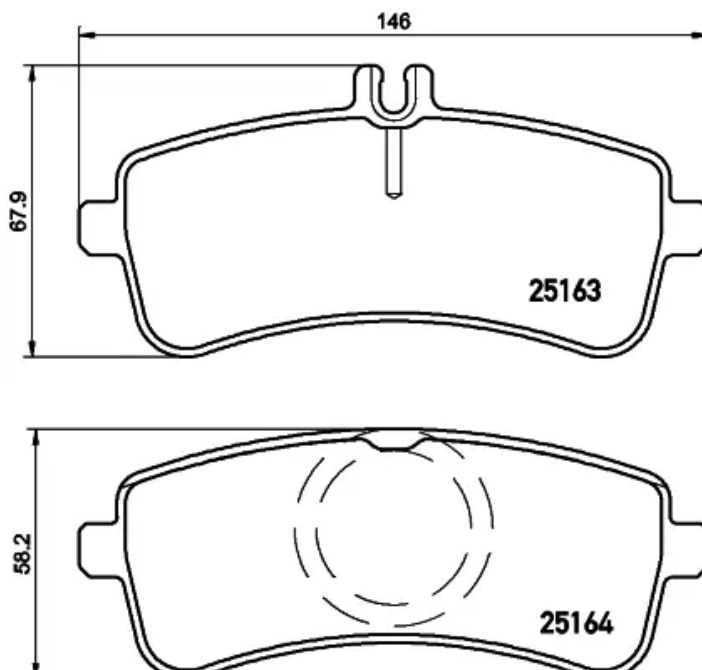
Brembo NAO brake pads stand out for their ultimate braking comfort, reduced friction wear and low dust mission, which makes for cleaner rims and reduced maintenance requirements. The advanced friction material in keeping with the strictest environmental standards is the main distinguishing feature of NAO compounds.

- ✓ OE-equivalent
- ✓ Brembo quality
- ✓ Safety
- ✓ Comfort
- ✓ Durability
- ✓ Dust reduction
- ✓ With accessories



## Technical specifications

EAN code <b>8020584068281</b>	Axle <b>Rear</b>	Thickness <b>18 mm</b>
Width <b>146 mm</b>	Height <b>68 mm</b>	Braking system <b>TRW</b>
Wear indicator <b>Prepared for wear indicator</b>	WVA number <b>25163,25164</b>	Accessories <b>With accessories With anti-squeal shim With brake caliper bolts</b>



**COMPATIBLE VEHICLES**

## COMPATIBLE OE PART NUMBERS

0004203204 MERCEDES-BENZ

---

0004204704 MERCEDES-BENZ

---

0004205802 MERCEDES-BENZ

---

0064206920 MERCEDES-BENZ

---

0064209020 MERCEDES-BENZ

---

0084200720 MERCEDES-BENZ

---

A0004203204 MERCEDES-BENZ

---

A0004204704 MERCEDES-BENZ

---

A0004205802 MERCEDES-BENZ

---

A0064206920 MERCEDES-BENZ

---

A0064209020 MERCEDES-BENZ

---

A0084200720 MERCEDES-BENZ

---