



BRAKE PAD PRIME CERAMIC P59097N

The P59097N NAO brake pad is synonymous with reliability

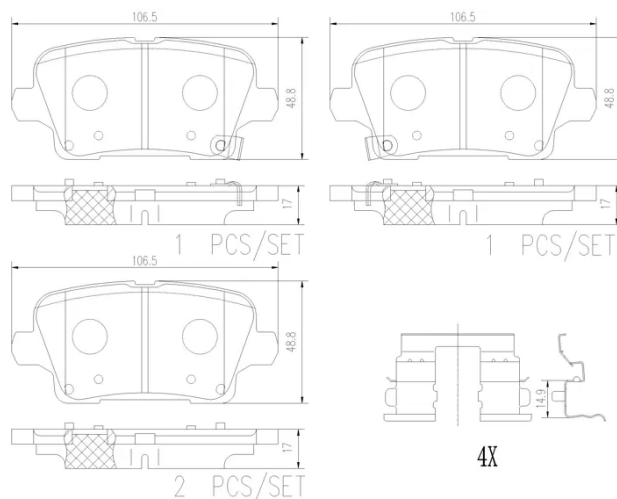
Brembo NAO brake pads stand out for their ultimate braking comfort, reduced friction wear and low dust mission, which makes for cleaner rims and reduced maintenance requirements. The advanced friction material in keeping with the strictest environmental standards is the main distinguishing feature of NAO compounds.

- ✓ OE-equivalent
- ✓ Brembo quality
- ✓ Safety
- ✓ Comfort
- ✓ Durability
- ✓ Dust reduction
- ✓ With accessories



Technical specifications

EAN code 8020584117484	Axle Rear	Thickness 17 mm
Width 106 mm	Height 49 mm	Braking system TRW
Wear indicator Acoustic	WVA number 22953,22954,22955	Accessories With anti-squeal shim



COMPATIBLE VEHICLES

COMPATIBLE OE PART NUMBERS

84637108	BUICK
13545816	BUICK (SGM)
84637108	BUICK (SGM)
13517693	CADILLAC
13517694	OPEL
13517694	VAUXHALL