



BRAKE PAD

P 10 053

The P 10 053 brake pad is synonymous with reliability



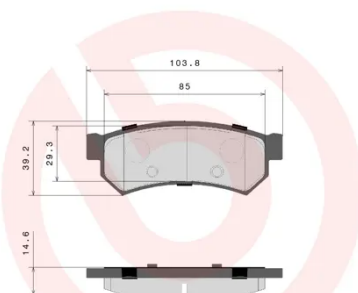
The Brembo brake pad guarantees ultimate safety when braking thanks to the use of more than 100 different compounds, designed according to the type of vehicle and use. Stopping distances reduced to a minimum, maximum driving comfort and silent operation are the most important features of Brembo materials. Brembo brake pads are supplied together with an extensive range of accessories and assembly kits for professional-standard installation.

- ✓ OE-equivalent
- ✓ Brembo quality
- ✓ ECE-R90 certificate
- ✓ Safety
- ✓ Performance
- ✓ Comfort



Technical specifications

EAN code 8020584102831	Axle Rear	Thickness 14 mm
Width 104 mm	Height 39 mm	Braking system Sumitomo
Wear indicator Without	WVA number 25232	Accessories With anti-squeal shim

	P 10 053		407.E672.406
			
WVA: 25232 QTY: x4			
DATE : 09/09/2022 VERSION : 00			

COMPATIBLE VEHICLES

COMPATIBLE OE PART NUMBERS

42794394	BUICK (SGM)
96800088	BUICK (SGM)
5C93723746	BUICK (SGM)
92235123	CHEVROLET
96800089	CHEVROLET
93723746	CHEVROLET (SGM)
5550085Z10	SUZUKI
5550085Z10000	SUZUKI