

Datos técnicos pastillas

Eje
Delantero

WVA
24075

Anchura
141,8 mm

Espesor
17 mm

Altura
76 mm

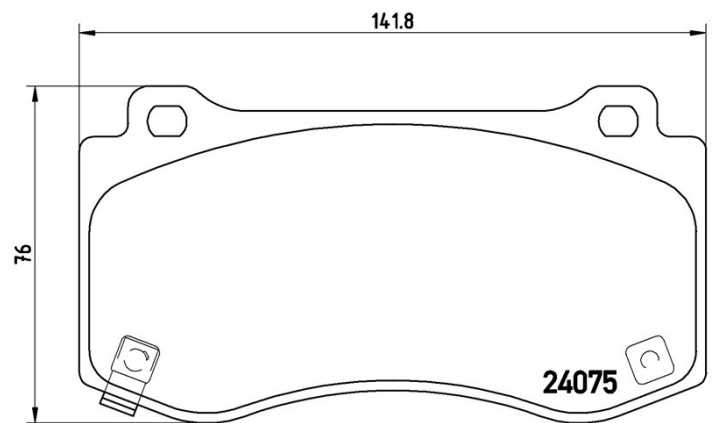
Sistema de frenos
Brembo

Accesorios

Avisador de desgaste
Aacústico

Código EAN
8020584090442





Vehículos compatibles

CHRYSLER

Modelo	Tipo	Kw	Año
300 C (LX, LE)	2.7	130	01/07 11/12
300 C (LX, LE)	2.7	142	09/04 11/12
300 C (LX, LE)	3.0 CRD	160	09/05 11/12
300 C (LX, LE)	3.0 V6 CRD	155	11/10 11/12
300 C (LX, LE)	3.5	183	09/04 11/12
300 C (LX, LE)	3.5 AWD	186	09/04 12/10
300 C (LX, LE)	5.7	268	09/08 -
300 C (LX, LE)	5.7	256	12/09 11/12
300 C (LX, LE)	5.7	265	05/09 12/10
300 C (LX, LE)	5.7	250	09/04 12/08
300 C (LX, LE)	5.7 AWD	250	09/04 08/08
300 C (LX, LE)	6.1 SRT8	317	06/05 11/12

300 C Touring (LX, LE)	2.7	130	01/07 12/10
300 C Touring (LX, LE)	2.7	142	09/04 12/10
300 C Touring (LX, LE)	3.0 CRD	160	09/05 12/10
300 C Touring (LX, LE)	3.5	183	09/04 12/10
300 C Touring (LX, LE)	5.7	250	09/04 12/10
300 C Touring (LX, LE)	6.1 SRT8	317	06/05 12/10
300C	3.6	218	01/11 -
300C	3.6	215	07/11 -
300C	3.6	210	09/11 -
300C	5.7	271	09/10 -
300C	5.7 AWD	271	09/10 -
300C	6.4	347	09/11 -

DODGE

Modelo	Tipo	Kw	Año
CHALLENGER Coupe	3.6 Flexfuel	227	09/10 -
CHALLENGER Coupe	6.2 SRT Hellcat	527	09/14 -
CHALLENGER Coupe	6.4	361	09/14 -
CHALLENGER Coupe	6.4 SRT8	351	01/11 -
CHALLENGER Coupe	6.4 SRT8	346	08/11 -
CHARGER	6.2 SRT Hellcat	527	09/14 -
CHARGER	6.4 SRT8	351	09/11 -
CHARGER	6.4 SRT8	362	09/14 -
CHARGER	6.1 SRT8	317	09/05 12/10
MAGNUM Estate	6.1 SRT8	317	09/05 12/08

JEEP

Modelo	Tipo	Kw	Año
GRAND CHEROKEE III (WH, WK)	3.7 V6 4x4	148	01/08 12/10
GRAND CHEROKEE III (WH, WK)	6.1 SRT8 4x4	313	03/06 12/10
GRAND CHEROKEE III (WH, WK)	6.1 SRT8 RWD	313	03/06 05/10

Códigos OE

Códigos OE compatibles

CHRYSLER	05174311AA
CHRYSLER	05174311AB

CHRYSLER	05174311AC
CHRYSLER	5174311AA
CHRYSLER	5174311AB
CHRYSLER	5174311AC
CHRYSLER	68144213AA
CHRYSLER	K05174311AC
JEEP	00K68002193AA
JEEP	68002193AA
JEEP	K68002193AA