



BRAKE PAD

P 16 006

The P 16 006 brake pad is synonymous with reliability

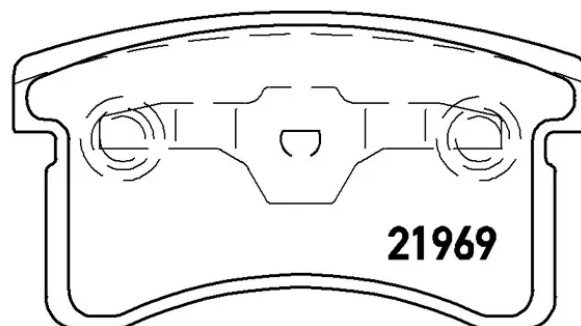
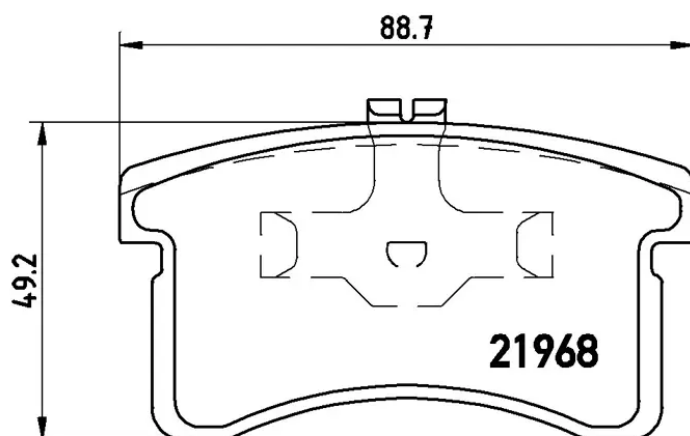
The Brembo brake pad guarantees ultimate safety when braking thanks to the use of more than 100 different compounds, designed according to the type of vehicle and use. Stopping distances reduced to a minimum, maximum driving comfort and silent operation are the most important features of Brembo materials. Brembo brake pads are supplied together with an extensive range of accessories and assembly kits for professional-standard installation.

- ✓ OE-equivalent
- ✓ Brembo quality
- ✓ ECE-R90 certificate
- ✓ Safety
- ✓ Performance
- ✓ Comfort



Technical specifications

EAN code	Axle	Thickness
8020584050668	Front	14 mm
Width	Height	Braking system
89 mm	49 mm	Akebono
Wear indicator	WVA number	Accessories
Without	21968,21969	With anti-squeal shim



COMPATIBLE OE PART NUMBERS

0449187204000	DAIHATSU
0449187205000	DAIHATSU
0449187206	DAIHATSU
0449187206000	DAIHATSU
0449187207000	DAIHATSU
0449187209	DAIHATSU
0449187209000	DAIHATSU
0449187213000	DAIHATSU
0449187216	DAIHATSU
0449187216000	DAIHATSU
0449187217	DAIHATSU
0449187217000	DAIHATSU
0449187218	DAIHATSU
0449187218000	DAIHATSU
0449187228	DAIHATSU
0449187228000	DAIHATSU
0449187229	DAIHATSU
0449187229000	DAIHATSU
0449187231000	DAIHATSU
AY040KE008	NISSAN