



BRAKE PAD

P 49 038

The P 49 038 brake pad is synonymous with reliability

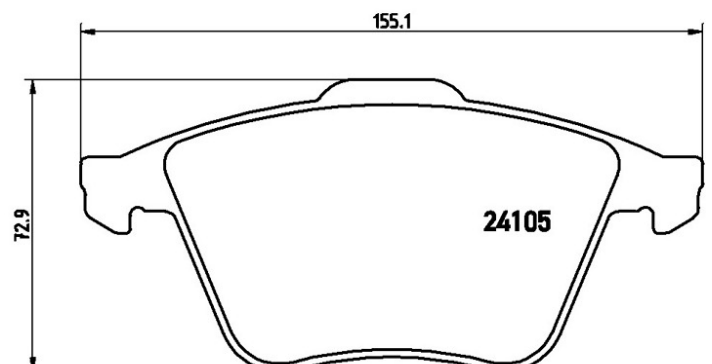
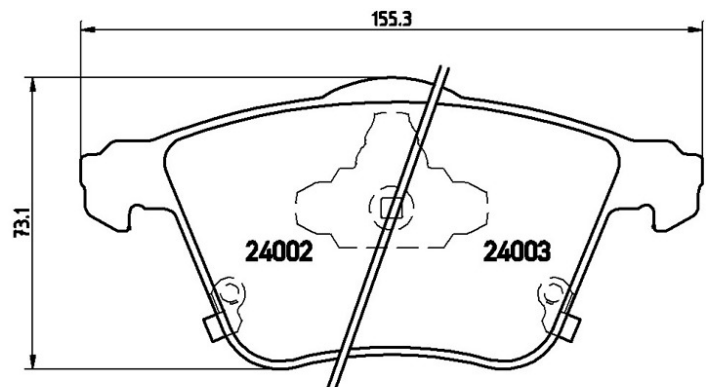
The Brembo brake pad guarantees ultimate safety when braking thanks to the use of more than 100 different compounds, designed according to the type of vehicle and use. Stopping distances reduced to a minimum, maximum driving comfort and silent operation are the most important features of Brembo materials. Brembo brake pads are supplied together with an extensive range of accessories and assembly kits for professional-standard installation.

- ✓ OE-equivalent
- ✓ Brembo quality
- ✓ ECE-R90 certificate
- ✓ Safety
- ✓ Performance
- ✓ Comfort



Technical specifications

EAN code	Axle	Thickness
8020584060988	Front	19 mm
Width	Height	Braking system
155 mm	73 mm	Teves
Wear indicator	WVA number	
Acoustic	24003,24002,24105	



COMPATIBLE OE PART NUMBERS

G3YD3323ZA MAZDA

GPYA3323ZB MAZDA

GPYA3323ZC MAZDA

GPYA3323ZF MAZDA

GPYA3323ZG MAZDA

GPYA3323ZG9C MAZDA

GPYA3323ZD MITSUBISHI
