

Pastillas P 50 033X



Datos técnicos pastillas

Eje

Trasero

WVA

21898, 21899

Anchura

63,7 mm

Espesor

15,7 mm

Altura

78,2 mm

Sistema de frenos

Teves

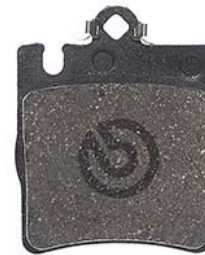
Accesorios

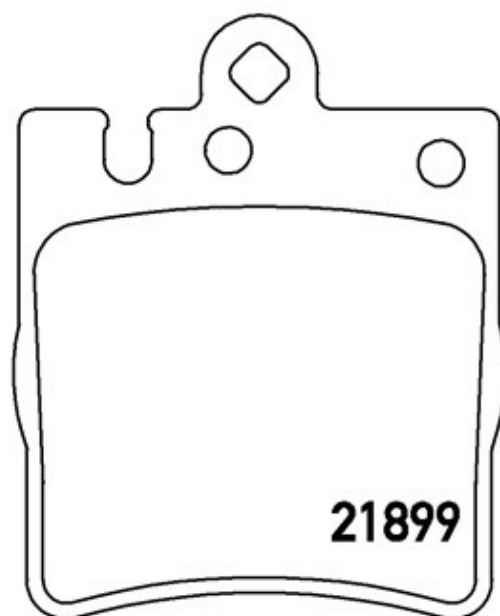
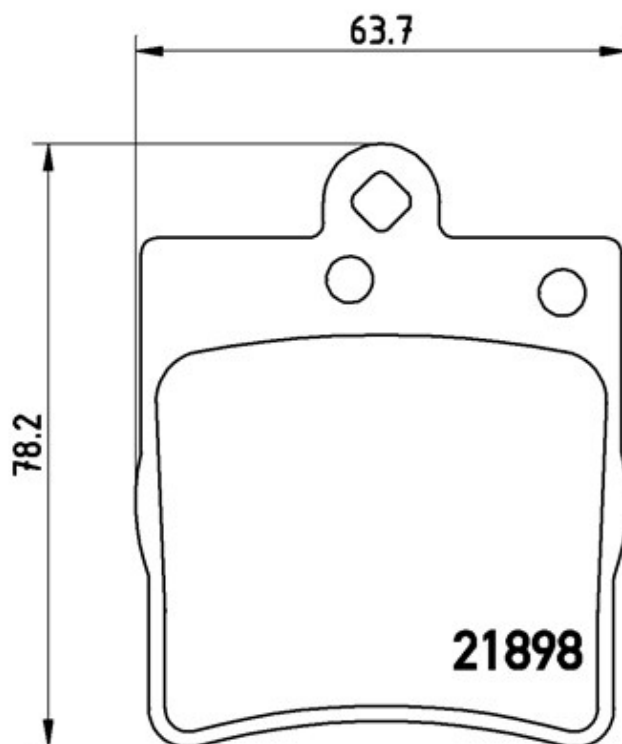
Avisador de desgaste

Preparado

Código EAN

8020584068939





Vehículos compatibles

MERCEDES-BENZ

Modelo	Tipo	Kw	Año
C-CLASS (W203)	C 180 Kompressor (203.046)	105	05/02 02/07
C-CLASS (W203)	C 200 CDI (203.004)	75	02/01 06/03
C-CLASS (W203)	C 200 CDI (203.004)	85	09/00 06/03
C-CLASS (W203)	C 200 CDI (203.007)	90	04/03 02/07
C-CLASS (W203)	C 200 CGI Kompressor (203.043)	125	07/03 02/07
C-CLASS (W203)	C 200 Kompressor (203.042)	120	05/02 02/07

C-CLASS (W203)	C 220 CDI (203.006)	100	05/00 02/07
C-CLASS (W203)	C 220 CDI (203.006)	105	05/00 02/07
C-CLASS (W203)	C 220 CDI (203.008)	110	02/03 02/07
C-CLASS (W203)	C 230 (203.052)	150	01/05 02/07
C-CLASS (W203)	C 230 Kompressor (203.040)	141	02/04 02/07
C-CLASS (W203)	C 240 (203.061)	125	05/00 02/07
C-CLASS (W203)	C 240 4-matic (203.081)	125	07/02 02/07
C-CLASS (W203)	C 270 CDI (203.016)	125	12/00 02/07
C-CLASS (W203)	C 280 (203.054)	170	01/05 02/07
C-CLASS (W203)	C 280 4-matic (203.092)	170	01/05 02/07
C-CLASS (W203)	C 320 (203.064)	160	05/00 02/07
C-CLASS (W203)	C 320 4-matic (203.084)	160	07/02 02/07
C-CLASS (W203)	C 320 CDI (203.020)	165	01/05 02/07
C-CLASS (W203)	C 350 (203.056)	200	01/05 02/07
C-CLASS (W203)	C 350 4-matic (203.087)	200	01/05 02/07
C-CLASS Coupe (CL203)	C 230 (203.752)	150	01/05 05/08
C-CLASS Coupe (CL203)	C 230 Kompressor (203.740)	141	05/02 05/08
C-CLASS Coupe (CL203)	C 230 Kompressor (203.747)	145	03/01 05/02
C-CLASS Coupe (CL203)	C 320 (203.764)	160	09/02 05/08
C-CLASS Coupe (CL203)	C 350 (203.756)	200	01/05 05/08
C-CLASS T-Model (S203)	C 180 (203.235)	95	03/01 05/02
C-CLASS T-Model (S203)	C 180 Kompressor (203.246)	105	05/02 08/07
C-CLASS T-Model (S203)	C 200 CDI (203.204)	85	03/01 08/07
C-CLASS T-Model (S203)	C 200 CDI (203.204, 203.207)	75	03/01 08/07
C-CLASS T-Model (S203)	C 200 CDI (203.207)	90	04/03 08/07
C-CLASS T-Model (S203)	C 200 CGI Kompressor (203.243)	125	07/03 08/07
C-CLASS T-Model (S203)	C 200 Kompressor (203.242)	120	05/02 08/07
C-CLASS T-Model (S203)	C 200 Kompressor (203.245)	120	03/01 05/02
C-CLASS T-Model (S203)	C 220 CDI (203.206)	105	03/01 08/07
C-CLASS T-Model (S203)	C 220 CDI (203.208)	110	02/04 08/07
C-CLASS T-Model (S203)	C 220 CDI (203.208)	100	08/06 08/07
C-CLASS T-Model (S203)	C 230 (203.252)	150	01/05 08/07
C-CLASS T-Model (S203)	C 230 Kompressor (203.240)	141	02/04 08/07

C-CLASS T-Model (S203)	C 240 (203.261)	125	03/01 08/07
C-CLASS T-Model (S203)	C 240 4-matic (203.281)	125	07/02 08/07
C-CLASS T-Model (S203)	C 270 CDI (203.216)	125	03/01 08/07
C-CLASS T-Model (S203)	C 280 (203.254)	170	01/05 08/07
C-CLASS T-Model (S203)	C 280 4-matic (203.292)	170	01/05 08/07
C-CLASS T-Model (S203)	C 320 (203.264)	160	03/01 08/07
C-CLASS T-Model (S203)	C 320 4-matic (203.284)	160	07/02 08/07
C-CLASS T-Model (S203)	C 320 CDI (203.220)	165	06/05 08/07
C-CLASS T-Model (S203)	C 350 (203.256)	200	01/05 08/07
C-CLASS T-Model (S203)	C 350 4-matic (203.287)	200	01/05 08/07
CLC-CLASS (CL203)	CLC 230 (203.752)	150	05/08 06/11
CLC-CLASS (CL203)	CLC 350 (203.756)	200	05/08 06/11
CLK (C208)	320 (208.365)	160	06/97 06/02
CLK (C209)	200 CGI (209.343)	125	07/03 05/09
CLK (C209)	200 Kompressor (209.341)	135	10/06 05/09
CLK (C209)	200 Kompressor (209.342)	120	09/02 05/09
CLK (C209)	220 CDI (209.308)	100	01/05 05/09
CLK (C209)	220 CDI (209.308)	110	01/05 05/09
CLK (C209)	240 (209.361)	120	06/02 05/09
CLK (C209)	240 (209.361)	125	06/02 05/09
CLK (C209)	270 CDI (209.316)	120	02/03 06/05
CLK (C209)	270 CDI (209.316)	125	10/02 05/09
CLK (C209)	280 (209.354)	170	01/05 05/09
CLK (C209)	320 (209.365)	160	06/02 05/09
CLK (C209)	320 CDI (209.320)	165	01/05 05/09
CLK (C209)	350 (209.356)	200	01/05 05/09
CLK Convertible (A208)	320 (208.465)	160	03/98 03/02
CLK Convertible (A209)	CLK 200 CGI (209.343)	125	07/03 03/10
CLK Convertible (A209)	CLK 200 Kompressor (209.441)	135	10/06 03/10
CLK Convertible (A209)	CLK 200 Kompressor (209.442)	120	02/03 03/10
CLK Convertible (A209)	CLK 240 (209.461)	125	02/03 03/10
CLK Convertible (A209)	CLK 280 (209.454)	170	01/05 03/10
CLK Convertible (A209)	CLK 320 (209.465)	160	02/03 03/10

CLK Convertible (A209)	CLK 320 CDI (209.420)	165	03/05 03/10
CLK Convertible (A209)	CLK 350 (209.456)	200	01/05 03/10
E-CLASS (W210)	E 200 Kompressor (210.045)	137	06/97 03/02
E-CLASS (W210)	E 240 (210.061)	125	06/97 08/00
E-CLASS (W210)	E 240 (210.062)	125	08/00 03/02
E-CLASS (W210)	E 270 CDI (210.016)	120	07/99 03/02
E-CLASS (W210)	E 270 CDI (210.016)	125	07/99 03/02
E-CLASS (W210)	E 280 (210.053)	142	01/96 06/97
E-CLASS (W210)	E 280 (210.063)	150	12/96 03/02
E-CLASS (W210)	E 280 4-matic (210.081)	150	12/96 03/02
E-CLASS (W210)	E 300 Turbo-D (210.025)	130	12/96 07/99
E-CLASS (W210)	E 320 (210.055)	162	06/95 06/97
E-CLASS (W210)	E 320 (210.065)	165	06/97 03/02
E-CLASS (W210)	E 320 4-matic (210.082)	165	06/97 03/02
E-CLASS (W210)	E 320 CDI (210.026)	145	07/99 03/02
E-CLASS (W210)	E 420 (210.072)	205	01/96 06/97
E-CLASS (W210)	E 430 (210.070)	205	06/97 03/02
E-CLASS (W210)	E 430 4-matic (210.083)	205	05/99 03/02
E-CLASS Convertible (A124)	E 36 AMG (124.066)	200	05/94 03/98
E-CLASS Coupe (C124)	E 36 AMG (124.052)	200	05/94 06/97
E-CLASS T-Model (S210)	E 270 T CDI	120	02/00 03/03
E-CLASS T-Model (S210)	E 270 T CDI (210.216)	125	07/99 03/03
E-CLASS T-Model (S210)	E 300 T Turbo-D (210.225)	130	12/96 07/99
E-CLASS T-Model (S210)	E 320 T CDI (210.226)	145	07/99 03/03
S-CLASS Coupe (C215)	CL 55 AMG	367	09/03 08/06
SLK (R171)	200 Kompressor (171.442)	120	03/04 02/11
SLK (R171)	200 Kompressor (171.445)	135	01/08 02/11
SLK (R171)	280 (171.454)	170	01/05 02/11
SLK (R171)	300 (171.454)	170	04/09 02/11
SLK (R171)	350 (171.456)	200	06/04 02/11
SLK (R171)	350 (171.458)	224	01/08 02/11

Códigos OE

Códigos OE compatibles

MERCEDES-BENZ

0024205220

MERCEDES-BENZ

0054201920

MERCEDES-BENZ

A0024205220

MERCEDES-BENZ

A0054201920
