

## Datos técnicos pastillas

**Eje**  
Delantero

**WVA**  
21999, 23002

**Anchura**  
90,2 mm

**Espesor**  
15,8 mm

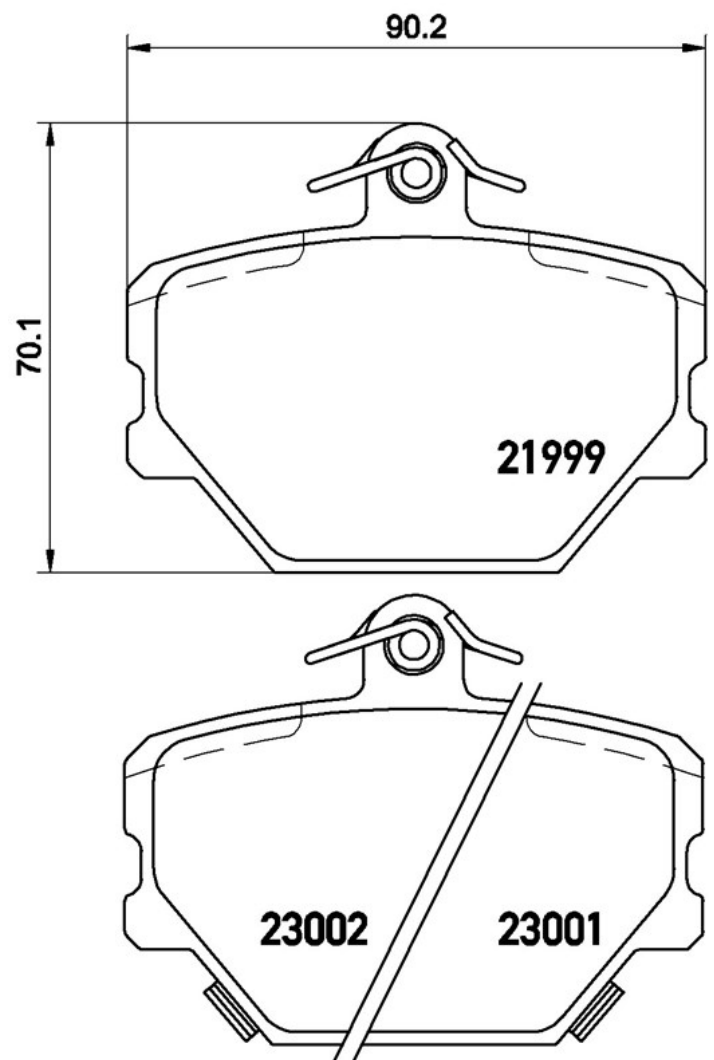
**Altura**  
70,1 mm

**Sistema de frenos**  
Bosch

**Accesorios**  
Con tornillos pinza freno

**Avisador de desgaste**  
Acústico

**Código EAN**  
8020584054109



## Vehículos compatibles

### SMART

Modelo	Tipo	Kw	Año
CABRIO (450)	0.6 (450.432)	52	06/02 01/04

CABRIO (450)	0.6 (S1OLA1, 450.441, 450.442, 450.443)	40	03/00 01/04
CABRIO (450)	0.6 (S1OLD2, 450.452)	45	01/01 01/04
CABRIO (450)	0.7 (450.433)	55	01/03 01/04
CABRIO (450)	0.7 (450.452, 450.432)	45	01/03 01/04
CABRIO (450)	0.8 CDI (S1OLC1, 450.401, 450.402, 450.403, 450.400)	30	03/01 01/04
CITY-COUCPE (450)	0.6 (450.330, 450.332)	52	06/02 01/04
CITY-COUCPE (450)	0.6 (450.352, 450.353)	45	01/01 01/04
CITY-COUCPE (450)	0.6 (S1CLA1, 450.341)	40	07/98 01/04
CITY-COUCPE (450)	0.6 (S1CLB1, 450.331, 450.336)	33	07/98 01/04
CITY-COUCPE (450)	0.7 (450.330)	37	01/03 01/04
CITY-COUCPE (450)	0.7 (450.333)	55	01/03 01/04
CITY-COUCPE (450)	0.7 (450.352, 450.353)	45	01/03 01/04
CITY-COUCPE (450)	0.8 CDI (S1CLC1, 450.300, 450.301, 450.302, 450.303,...	30	11/99 01/04
CROSSBLADE (450)	0.6 (450.418)	52	06/02 12/03
FORTWO Cabrio (450)	0.6	45	01/04 12/06
FORTWO Cabrio (450)	0.6 Brabus (450.433)	55	01/04 12/06
FORTWO Cabrio (450)	0.7 (450.433)	55	01/04 01/07
FORTWO Cabrio (450)	0.7 (450.452)	45	01/04 01/07
FORTWO Cabrio (450)	0.8 CDI (450.401, 450.402, 450.403, 450.400)	30	01/04 01/07
FORTWO Cabrio (451)	0.8 CDi (451.400)	33	01/07 -
FORTWO Cabrio (451)	0.8 CDi (451.401)	40	08/09 -
FORTWO Cabrio (451)	1.0 (451.431, 451.480)	52	01/07 -
FORTWO Cabrio (451)	1.0 Brabus	88	04/12 -
FORTWO Cabrio (451)	1.0 Brabus (451.433)	72	01/08 -
FORTWO Cabrio (451)	1.0 Turbo (451.432)	62	01/07 -
FORTWO Cabrio (451)	1.0 Turbo Brabus (451.433)	75	07/10 -
FORTWO Cabrio (451)	electric drive (451.490)	35	12/11 12/12
FORTWO Cabrio (451)	electric drive (451.490, 451.491)	55	01/13 -
FORTWO Cabrio (451)	electric drive (451.490, 451.491)	20	12/10 12/12
FORTWO Cabrio (451)	electric drive (451.491)	30	11/09 12/11
FORTWO Cabrio (451)	electric drive Brabus (451.492)	60	01/13 -

FORTWO Coupe (450)	0.6 (450.332)	45	01/04 02/07
FORTWO Coupe (450)	0.7 (450.330)	37	01/04 01/07
FORTWO Coupe (450)	0.7 (450.333)	55	01/04 01/07
FORTWO Coupe (450)	0.7 (450.335)	40	01/04 01/07
FORTWO Coupe (450)	0.7 (450.352, 450.332)	45	01/04 01/07
FORTWO Coupe (450)	0.8 CDI (450.300, 450.301, 450.302, 450.303, 450.306)	30	01/04 01/07
FORTWO Coupe (451)	0.8 CDi (451.300)	33	01/07 -
FORTWO Coupe (451)	0.8 CDi (451.301)	40	08/09 -
FORTWO Coupe (451)	1.0 (451.330, 451.334)	45	01/07 -
FORTWO Coupe (451)	1.0 (451.331, 451.380)	52	01/07 -
FORTWO Coupe (451)	1.0 Brabus (451.333)	72	01/08 -
FORTWO Coupe (451)	1.0 Turbo (451.332)	62	01/07 -
FORTWO Coupe (451)	1.0 Turbo Brabus (451.333)	75	07/10 -
FORTWO Coupe (451)	electric drive (451.390)	35	12/11 12/12
FORTWO Coupe (451)	electric drive (451.390, 451.391)	55	01/13 -
FORTWO Coupe (451)	electric drive (451.391)	30	11/09 12/11
FORTWO Coupe (451)	electric drive (451.391, 451.390)	20	12/10 12/12
FORTWO Coupe (451)	electric drive Brabus (451.392)	60	01/13 -
ROADSTER (452)	0.7 (452.432)	45	04/03 11/05
ROADSTER (452)	0.7 (452.434)	60	04/03 11/05
ROADSTER (452)	0.7 Brabus (452.437)	74	12/03 11/05
ROADSTER Coupe (452)	0.7 (452.332)	45	06/03 11/05
ROADSTER Coupe (452)	0.7 (452.334)	60	04/03 11/05
ROADSTER Coupe (452)	0.7 Brabus (452.337)	74	12/03 11/05

## Códigos OE

### Códigos OE compatibles

MERCEDES-BENZ	4514210010
MERCEDES-BENZ	A4514210010
SMART	0001431V002000000
SMART	0001431V003000000
SMART	0001431V004000000

SMART	4514210010
SMART	4514210110
SMART	4514210210
SMART	A4514210110
SMART	C0001431V002
SMART	C0001431V002000000
SMART	Q0001431V004000000