



BRAKE PAD

P 50 136

The P 50 136 brake pad is synonymous with reliability

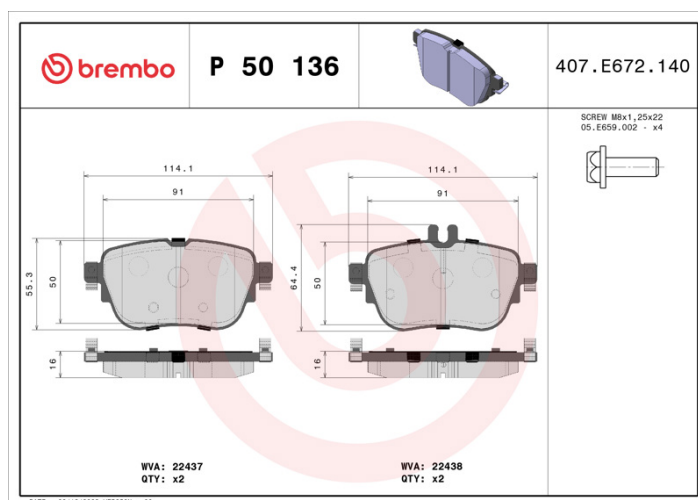
The Brembo brake pad guarantees ultimate safety when braking thanks to the use of more than 100 different compounds, designed according to the type of vehicle and use. Stopping distances reduced to a minimum, maximum driving comfort and silent operation are the most important features of Brembo materials. Brembo brake pads are supplied together with an extensive range of accessories and assembly kits for professional-standard installation.

- ✓ OE-equivalent
- ✓ Brembo quality
- ✓ ECE-R90 certificate
- ✓ Safety
- ✓ Performance
- ✓ Comfort



Technical specifications

EAN code 8020584086988	Axle Rear	Thickness 16 mm
Width 114 mm	Height 55 mm	Braking system TRW
Wear indicator Prepared for wear indicator	WVA number 22437,22438	Accessories With anti-squeal shim With brake caliper bolts



COMPATIBLE VEHICLES

COMPATIBLE OE PART NUMBERS

0004206000	MERCEDES-BENZ
0004206100	MERCEDES-BENZ
0004209203	MERCEDES-BENZ
0004209303	MERCEDES-BENZ
0004209700	MERCEDES-BENZ
0004209800	MERCEDES-BENZ
A0004206000	MERCEDES-BENZ
A0004206100	MERCEDES-BENZ
A0004209303	MERCEDES-BENZ
A0004209700	MERCEDES-BENZ
A0004209800	MERCEDES-BENZ
A0004209203	MERCEDES-BENZ (BBDC)