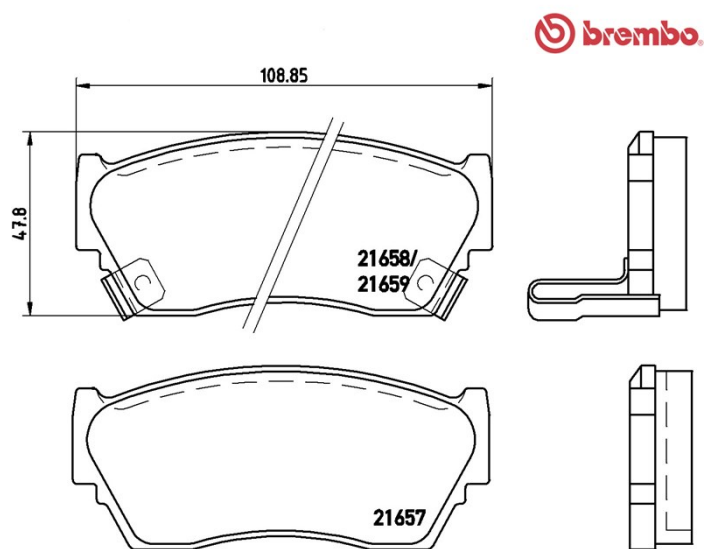


## Datos técnicos pastillas

<b>Eje</b> Delantero	<b>WVA</b> 21658,21657,21659
<b>Anchura</b> 108,5 mm	<b>Espesor</b> 16,5 mm
<b>Altura</b> 47,8 mm	<b>Sistema de frenos</b> Sumitomo
<b>Accesorios</b>	<b>Avisador de desgaste</b> Acústico



**Código EAN**  
8020584055076



## Vehículos compatibles

NISSAN				
Modelo	Tipo	Kw	Año	
100 NX (B13)	1.6	66	03/90 10/94	
100 NX (B13)	1.6 SR	75	09/93 10/94	
SUNNY III (N14)	1.4	60	10/90 06/95	
SUNNY III (N14)	1.4 i	55	10/90 05/95	
SUNNY III (N14)	1.4 i 16V	64	10/90 06/95	
SUNNY III (N14)	1.6	62	01/92 12/92	
SUNNY III (N14)	1.6	82	08/90 10/94	
SUNNY III (N14)	1.6 16V	78	01/93 12/95	
SUNNY III (N14)	1.6 i	66	10/90 05/95	
SUNNY III (N14)	1.6 i 16V	75	10/92 05/95	

SUNNY III (N14)	1.6 i 16V 4WD	66	10/90 05/95
SUNNY III (N14)	1.8	78	05/90 10/95
SUNNY III (N14)	2.0 D	55	10/90 05/95
SUNNY III Hatchback (N14)	1.4	60	10/90 06/95
SUNNY III Hatchback (N14)	1.4 i	55	10/90 05/95
SUNNY III Hatchback (N14)	1.4 i 16V	64	10/90 05/95
SUNNY III Hatchback (N14)	1.6 i	66	10/90 05/95
SUNNY III Hatchback (N14)	1.6 i 16V	75	10/92 05/95
SUNNY III Hatchback (N14)	1.6 i 16V 4x4	75	10/92 05/95
SUNNY III Hatchback (N14)	2.0 D	55	10/90 05/95
SUNNY III Liftback (N14)	1.4 i	55	10/90 05/95
SUNNY III Liftback (N14)	1.4 i 16V	64	10/90 06/95
SUNNY III Liftback (N14)	1.6 i	66	10/90 05/95
SUNNY III Liftback (N14)	1.6 i 16V	75	10/92 05/95
SUNNY III Liftback (N14)	2.0 D	55	10/90 05/95

## Códigos OE

### Códigos OE compatibles

MAZDA	1N003328ZA
MAZDA	1N183328Z
MAZDA	1N243328Z
MAZDA	1V3A3328ZA
NISSAN	4106050Y90
NISSAN	4106050Y91
NISSAN	4106050Y93
NISSAN	4106050Y94
NISSAN	4106060R90
NISSAN	4106060R91
NISSAN	4106060Y91
NISSAN	4106060Y94
NISSAN	4106062C90
NISSAN	4106063C90

NISSAN	4106063Y90
NISSAN	4106072B25
NISSAN	AY040NS064
NISSAN	AY040NS819
NISSAN	AY040NS834
NISSAN	AY040NS835
NISSAN	AY040NS843
NISSAN	AY040NS901
NISSAN	AY040NS902
NISSAN	AY040NS903
NISSAN	AY040NS904
NISSAN	D106050Y90
NISSAN	D106050Y92
NISSAN	D106050Y93
NISSAN	D106050Y94
NISSAN	D106072B25
NISSAN	D106M50Y93
NISSAN	D106M50Y94
NISSAN	D106MS1826