

Datos técnicos pastillas

Eje
Delantero

WVA
22590, 22591, 22592

Anchura
132,7 mm

Espesor
17,9 mm

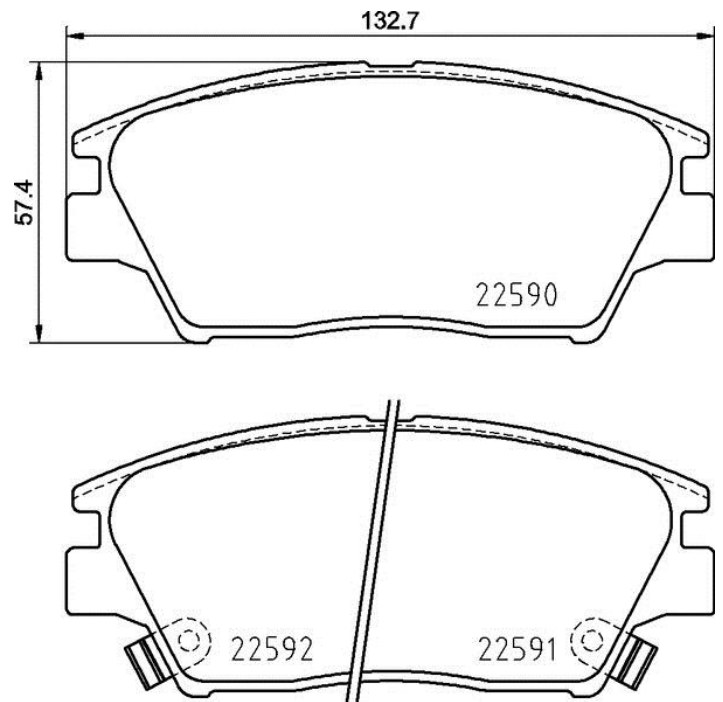
Altura
57,4 mm

Sistema de frenos

Accesorios

Avisador de desgaste
Aacústico

Código EAN
8020584084779



Vehículos compatibles

SSANGYONG

Modelo	Tipo	Kw	Año
TIVOLI	1.6	93	04/15 -
TIVOLI	1.6	94	04/15 -
TIVOLI	1.6 All-wheel Drive	93	04/15 -
TIVOLI	1.6 All-wheel Drive	94	03/15 -
TIVOLI	1.6 GPL	94	04/15 -
TIVOLI	1.6 GPL All-wheel Drive	94	03/15 -
TIVOLI	1.6 XDi 160	85	04/15 -
TIVOLI	1.6 XDi 160 All-wheel Drive	85	04/15 -
XLV Closed Off-Road Vehicle	1.6 GPL	94	05/16 -
XLV Closed Off-Road Vehicle	1.6 GPL All-wheel Drive	94	05/16 -
XLV Closed Off-Road Vehicle	e-XDi 160	85	04/16 -
XLV Closed Off-Road Vehicle	e-XDi 160 All-wheel Drive	85	04/16 -
XLV Closed Off-Road Vehicle	e-XGi 160	93	05/16 -
XLV Closed Off-Road Vehicle	e-XGi 160	94	04/16 -
XLV Closed Off-Road Vehicle	e-XGi 160 All-wheel Drive	93	05/16 -
XLV Closed Off-Road Vehicle	e-XGi 160 All-wheel Drive	94	04/16 -

Códigos OE

Códigos OE compatibles

SSANGYONG

48130350B0
