



SPORT | HP2 BRAKE PADS

07.D435.12

The 07.D435.12 brake pad is synonymous with reliability

HP2 brake pads offer outstanding cold performance a good bite, superior fading resistance, and friction stability in all conditions and low dust levels. Thanks to the friction material, they provide significant advantages over their competitors. Designed to be interchangeable with original equipment brake pads (OE), they are approved to ECE-R90.

- ✓ OE-equivalent
- ✓ Brembo quality
- ✓ ECE-R90 certificate
- ✓ Safety
- ✓ Performance
- ✓ Comfort
- ✓ Sports driving
- ✓ Sporty look

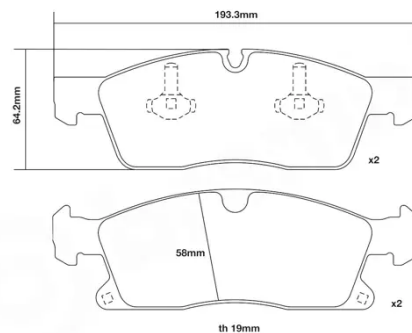


Technical specifications

Width **193** mm Thickness **19** mm Height **64** mm

Wear indicator **Prepared for wear indicator** WVA number **25192,25500** Axle **Front**

EAN code
8020584603796



COMPATIBLE VEHICLES