



# BRAKE PAD PRIME CERAMIC P65021N

The P65021N NAO brake pad is synonymous with reliability

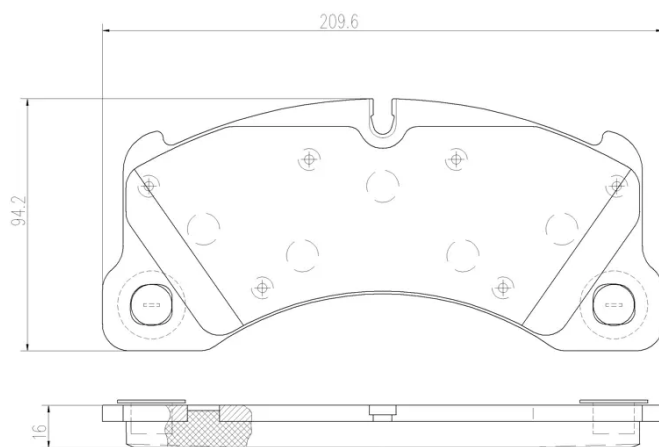
Brembo NAO brake pads stand out for their ultimate braking comfort, reduced friction wear and low dust mission, which makes for cleaner rims and reduced maintenance requirements. The advanced friction material in keeping with the strictest environmental standards is the main distinguishing feature of NAO compounds.

- ✓ OE-equivalent
- ✓ Brembo quality
- ✓ Safety
- ✓ Comfort
- ✓ Durability
- ✓ Dust reduction
- ✓ With accessories



## Technical specifications

EAN code <b>8020584082980</b>	Axle <b>Front</b>	Thickness <b>16 mm</b>
Width <b>210 mm</b>	Height <b>94 mm</b>	Braking system <b>Brembo</b>
Wear indicator <b>Prepared for wear indicator</b>	WVA number <b>25007</b>	Accessories <b>With anti-squeal shim</b>



4PCS/SET

COMPATIBLE VEHICLES

## COMPATIBLE OE PART NUMBERS

7P0698151 AUDI

7P0698151B AUDI

7P0698151C AUDI

7P0698151D AUDI

7P6698151 AUDI

7P6698151B AUDI

9J1698151K AUDI

9J1698151M AUDI

7P0698151G PORSCHE

7P5698151D PORSCHE

95835193900 PORSCHE

95835193901 PORSCHE

95835193910 PORSCHE

95B698151AL PORSCHE

95B698151BB PORSCHE

95B698151C PORSCHE

97035194901 PORSCHE

97035194904 PORSCHE

97035194906 PORSCHE

97035194907 PORSCHE

971698151D PORSCHE

971698151E PORSCHE

971698151F PORSCHE

971698151T PORSCHE

9J1698151H PORSCHE

9J1698151K PORSCHE

9J1698151N PORSCHE

PAA698151 PORSCHE

7P0698151 SEAT

7P0698151B SEAT

7P0698151C SEAT

7P0698151D SEAT

7P6698151 SEAT

7P6698151B SEAT

7P0698151 SKODA

7P0698151B SKODA

7P0698151C SKODA

7P0698151D SKODA

7P6698151 SKODA

7P6698151B SKODA

7P0698151 VW

7P0698151B VW

7P0698151C VW

7P0698151D VW

7P6698151 VW

7P6698151B VW

7P6698151G VW

---

---