

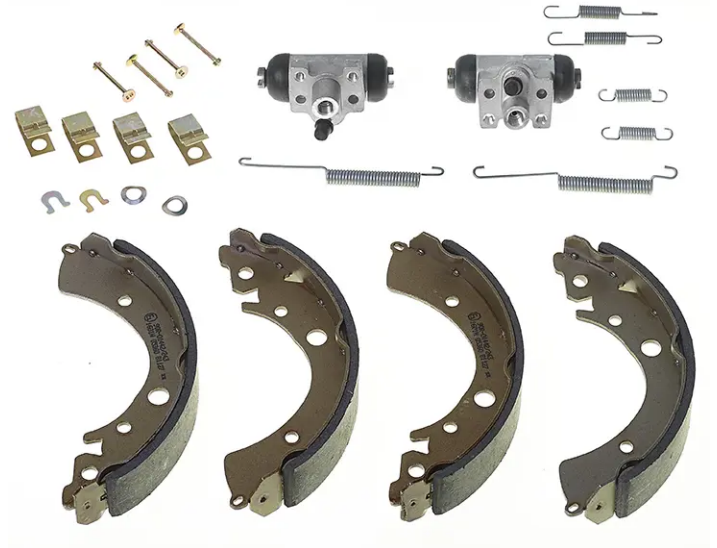


SHOE KIT H 28 010

The H 28 010 shoe kit is synonymous with reliability

The standard Brembo kit is the ideal solution for drum brake maintenance. The kit contains all the components necessary for drum brake maintenance: shoes, brake wheel cylinders, springs, lubricant, and fixing kit.

- ✓ OE-equivalent
- ✓ Brembo quality
- ✓ ECE-R90 certificate
- ✓ Safety
- ✓ Durability
- ✓ Quick assembly
- ✓ With accessories



Technical specifications

EAN code	Axle	Diameter
8020584071564	Rear	200 mm
Width	Master cylinder diameter	Type of assembly
36 mm	19 mm	Not pre-assembled
Braking system	Brake proportioning valve	
-		



COMPATIBLE VEHICLES