



BRAKE DISC

09.6934.14

The **09.6934.14** brake disc is synonymous with reliability

The Brembo brake disc is fully interchangeable with an Original Equipment brake disc. The control of the entire production cycle allows Brembo to offer brake discs with outstanding performance levels, reliability, durability and comfort in all conditions of use. All Brembo brake discs are accompanied by the ECE-R90 homologation.

- ✓ OE-equivalent
- ✓ Brembo quality
- ✓ ECE-R90 certificate
- ✓ Safety



Technical specifications



EAN code
8020584012703

Axle
Front

Diameter Ø
288 mm

Thickness (TH)
25 mm

Height (A)
55 mm

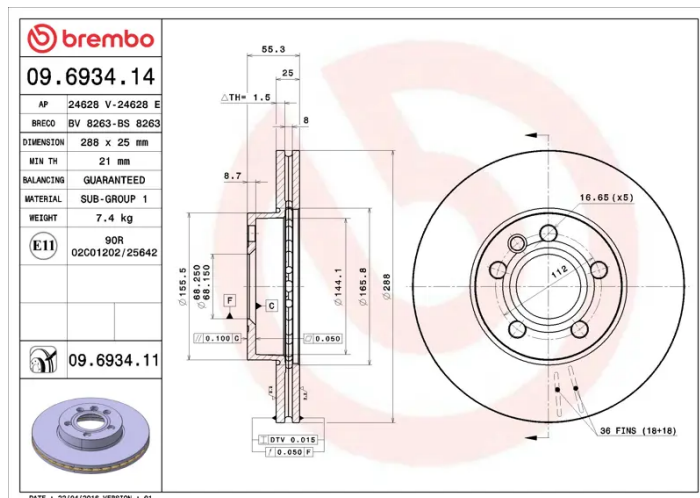
Number of holes (C)
5

Brake disc type
Ventilated

Centering (B)
68 mm

Min. thickness
21 mm

Tightening torque
170 Nm



COMPATIBLE VEHICLES

COMPATIBLE OE PART NUMBERS

1001093	FORD
---------	------

1044569	FORD
---------	------

1045994	FORD
---------	------

1143640	FORD
---------	------

1143641	FORD
---------	------

1526686	FORD
---------	------

95VWX1125B1D	FORD
--------------	------

95VWX1125BD	FORD
-------------	------

95VWX1125BE	FORD
-------------	------

7M0615301E	SEAT
------------	------

7M0615301G	SEAT
------------	------

7M0615301E	VW
------------	----

7M0615301G	VW
------------	----