



# BRAKE DISC PAINTED

## 09.B358.11

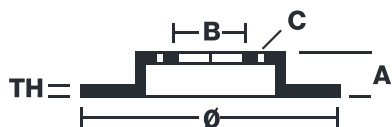
The **09.B358.11** painted brake disc is synonymous with reliability

The Brembo brake disc with special UV paint treatment guarantees superior corrosion resistance for the product, thanks to the protective coating on the outer edges and on the disc hub. The UV paint not only gives the disc a clean, shiny appearance but is also beneficial for the environment as the water-based UV paint treatment does not require the use of chemical solvents and is a low energy consumption process.

- ✓ OE-equivalent
- ✓ Brembo quality
- ✓ ECE-R90 certificate
- ✓ Safety
- ✓ High carbon
- ✓ Anti-corrosion
- ✓ PVT ventilation

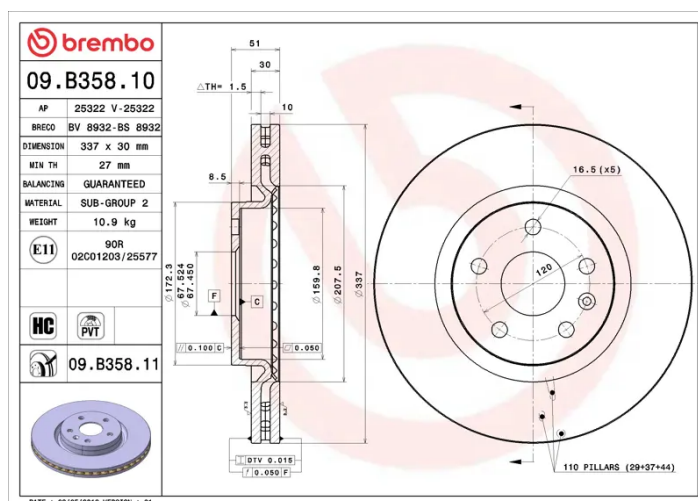


### Technical specifications



EAN code <b>8020584036631</b>	Axle <b>Front</b>	Diameter Ø <b>337 mm</b>
Thickness (TH) <b>30 mm</b>	Height (A) <b>51 mm</b>	Number of holes (C) <b>5</b>
Brake disc type <b>Ventilated</b>	Centering (B) <b>68 mm</b>	Min. thickness <b>27 mm</b>

Tightening torque  
**150 Nm**



COMPATIBLE VEHICLES

## COMPATIBLE OE PART NUMBERS

13501940	OPEL
----------	------

13502215	OPEL
----------	------

13576781	OPEL
----------	------

13579153	OPEL
----------	------

569080	OPEL
--------	------

569081	OPEL
--------	------

569274	OPEL
--------	------

569335	OPEL
--------	------

13576781	SAAB
----------	------

13501940	VAUXHALL
----------	----------

13502215	VAUXHALL
----------	----------

13576781	VAUXHALL
----------	----------

13579153	VAUXHALL
----------	----------