



BRAKE DISC

09.B634.10

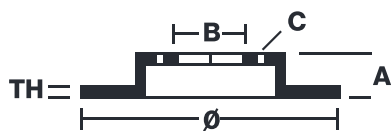
The **09.B634.10** brake disc is synonymous with reliability

The Brembo brake disc is fully interchangeable with an Original Equipment brake disc. The control of the entire production cycle allows Brembo to offer brake discs with outstanding performance levels, reliability, durability and comfort in all conditions of use. All Brembo brake discs are accompanied by the ECE-R90 homologation.

- ✓ OE-equivalent
- ✓ Brembo quality
- ✓ ECE-R90 certificate
- ✓ Safety



Technical specifications



EAN code
8020584219010

Axle
Front

Diameter \varnothing
338 mm

Thickness (TH)
32 mm

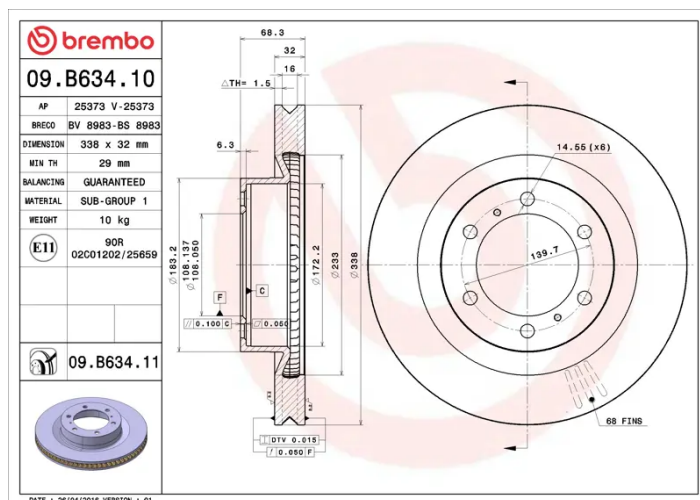
Height (A)
68 mm

Number of holes (C)
6

Brake disc type
Ventilated

Centering (B)
108 mm

Min. thickness
29 mm



COMPATIBLE VEHICLES

COMPATIBLE OE PART NUMBERS

4351260190	LEXUS
------------	-------

4351260191	LEXUS
------------	-------

4351260190	TOYOTA
------------	--------

4351260191	TOYOTA
------------	--------

4351260190	TOYOTA (FAW)
------------	--------------

4351260191	TOYOTA (FAW)
------------	--------------
