



BRAKE DISC PAINTED

09.C542.11

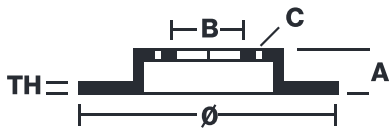
The 09.C542.11 painted brake disc is synonymous with reliability

The Brembo brake disc with special UV paint treatment guarantees superior corrosion resistance for the product, thanks to the protective coating on the outer edges and on the disc hub. The UV paint not only gives the disc a clean, shiny appearance but is also beneficial for the environment as the water-based UV paint treatment does not require the use of chemical solvents and is a low energy consumption process.

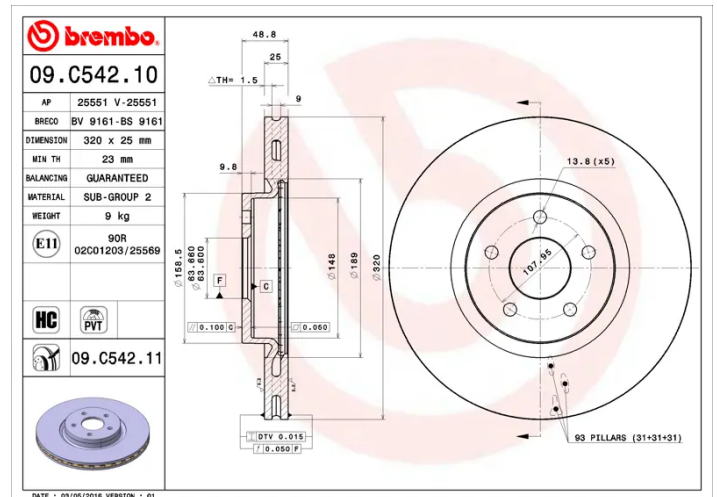
- ✓ OE-equivalent
- ✓ Brembo quality
- ✓ ECE-R90 certificate
- ✓ Safety
- ✓ High carbon
- ✓ Anti-corrosion
- ✓ PVT ventilation



Technical specifications



EAN code 8020584221075	Axle Front	Diameter Ø 320 mm
Thickness (TH) 25 mm	Height (A) 49 mm	Number of holes (C) 5
Brake disc type Ventilated	Centering (B) 64 mm	Min. thickness 23 mm



COMPATIBLE VEHICLES

COMPATIBLE OE PART NUMBERS

1677434	FORD
1724956	FORD
1746793	FORD
1770767	FORD
1829608	FORD
1844117	FORD
3M512C375CB	FORD
3M512C375CC	FORD
3M512C375CD	FORD
3M512C375CE	FORD
9M512C375AA	FORD
CV611125FA	FORD
CV611125GA	FORD
CV6Z1125D	FORD
DV611125FA	FORD
DV6Z1125C	FORD
BRRF97	FORD ASIA & OCEANIA
CV6Z1125B	FORD ASIA & OCEANIA
CV6Z1125B	FORD USA
BRRF291	LINCOLN
CV6Z1125D	LINCOLN