

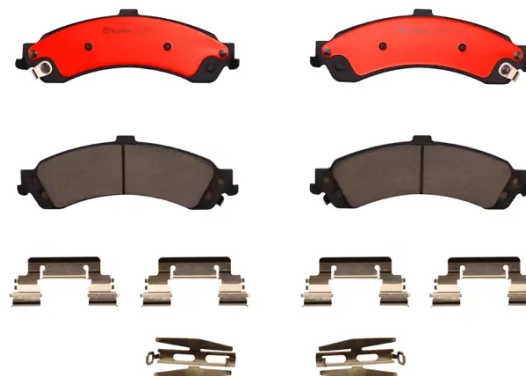


BRAKE PAD PRIME CERAMIC P10040N

The P10040N NAO brake pad is synonymous with reliability

Brembo NAO brake pads stand out for their ultimate braking comfort, reduced friction wear and low dust mission, which makes for cleaner rims and reduced maintenance requirements. The advanced friction material in keeping with the strictest environmental standards is the main distinguishing feature of NAO compounds.

- ✓ OE-equivalent
- ✓ Brembo quality
- ✓ Safety
- ✓ Comfort
- ✓ Durability
- ✓ Dust reduction
- ✓ With accessories



Technical specifications

EAN code
8020584096314

Axle
Rear

Thickness
17 mm

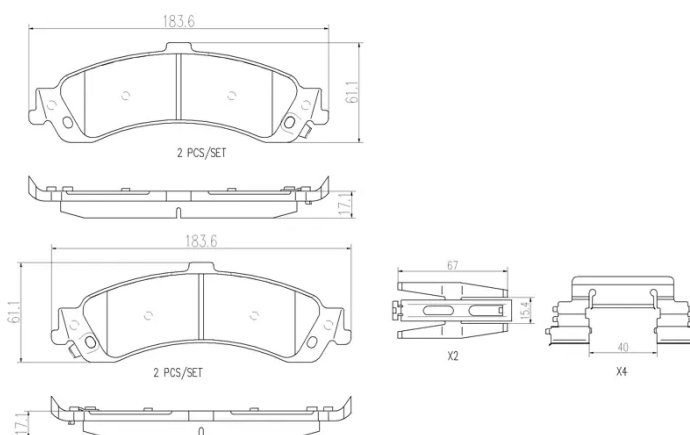
Width
184 mm

Height
61 mm

Wear indicator
Acoustic

WVA number
23992

Accessories
With anti-squeal shim



COMPATIBLE VEHICLES

COMPATIBLE OE PART NUMBERS

18045936	CADILLAC
88964192	CADILLAC
18045936	CHEVROLET
88964192	CHEVROLET
88967105	CHEVROLET
89059034	CHEVROLET
68504576AA	CHRYSLER
68504577AA	CHRYSLER
68504576AA	DODGE
68504577AA	DODGE
88927920	GENERAL MOTORS
18045936	GMC
88964192	GMC
88965742	GMC
88967105	GMC