



# BRAKE PAD PRIME CERAMIC P10090N

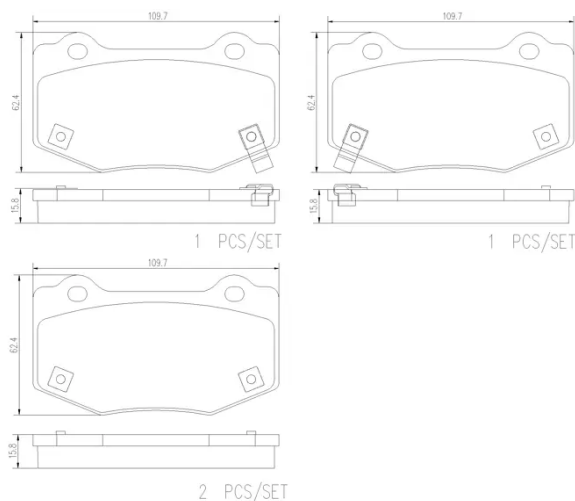
The P10090N NAO brake pad is synonymous with reliability

Brembo NAO brake pads stand out for their ultimate braking comfort, reduced friction wear and low dust mission, which makes for cleaner rims and reduced maintenance requirements. The advanced friction material in keeping with the strictest environmental standards is the main distinguishing feature of NAO compounds.

- ✓ OE-equivalent
- ✓ Brembo quality
- ✓ Safety
- ✓ Comfort
- ✓ Durability
- ✓ Dust reduction
- ✓ With accessories

## Technical specifications

EAN code <b>8020584123560</b>	Axle <b>Rear</b>	Thickness <b>16 mm</b>
Width <b>110 mm</b>	Height <b>62 mm</b>	Braking system <b>Brembo</b>
Wear indicator <b>Acoustic</b>	Accessories <b>With anti-squeal shim</b>	



COMPATIBLE VEHICLES

## COMPATIBLE OE PART NUMBERS

22847817	CHEVROLET
22847818	CHEVROLET
84345385	CHEVROLET