

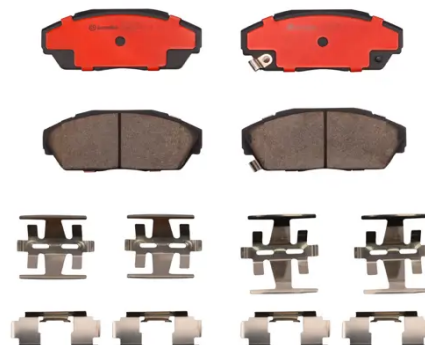


BRAKE PAD PRIME CERAMIC P28013N

The P28013N NAO brake pad is synonymous with reliability

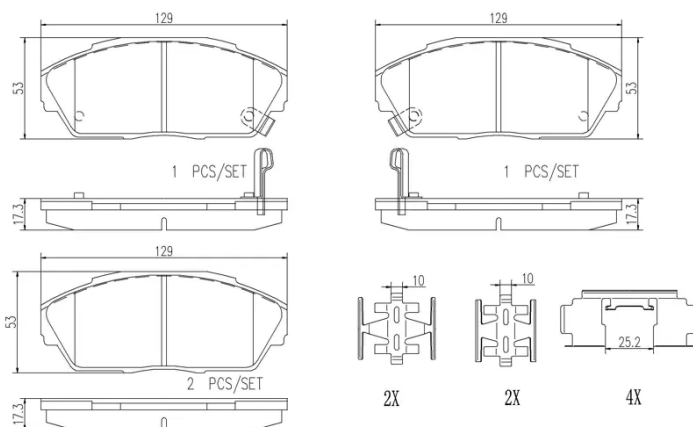
Brembo NAO brake pads stand out for their ultimate braking comfort, reduced friction wear and low dust mission, which makes for cleaner rims and reduced maintenance requirements. The advanced friction material in keeping with the strictest environmental standards is the main distinguishing feature of NAO compounds.

- ✓ OE-equivalent
- ✓ Brembo quality
- ✓ Safety
- ✓ Comfort
- ✓ Durability
- ✓ Dust reduction
- ✓ With accessories



Technical specifications

EAN code 8020584097625	Axle Front	Thickness 17 mm
Width 129 mm	Height 53 mm	Braking system Akebono
Wear indicator Acoustic	WVA number 21446,21447,21448	Accessories With anti-squeal shim



COMPATIBLE VEHICLES

COMPATIBLE OE PART NUMBERS

45022SA4A11 HONDA

45022SA4A12 HONDA

45022SD4000 HONDA

45022SD4010 HONDA

45022SD4020 HONDA

45022SD4508 HONDA

45022SD4526 HONDA

45022SD4528 HONDA

45022SD4A10 HONDA

45022SD4A11 HONDA

45022SD4A12 HONDA

45022SD4A13 HONDA

45022SD4E00 HONDA

45022SF9305 HONDA

45022SF9505 HONDA

45022SF9525 HONDA

45022SG0000 HONDA

45022SG0010 HONDA

45022SG0020 HONDA

45022SG0305 HONDA

45022SG0315 HONDA

45022SG0325 HONDA

45022SG0335 HONDA

45022SG0507 HONDA

45022SG0517 HONDA

45022SG0527 HONDA

45022SG0537 HONDA

45022SG0G10 HONDA

45022SG0G11 HONDA

45022SG0G12 HONDA

45022SG0G13 HONDA

45022SG0J00 HONDA

45022SK7000 HONDA

45022SK7010 HONDA

45022SK7505 HONDA

45022SK7506 HONDA

45022SK7518 HONDA

45022SK7526 HONDA

45022SR3507 HONDA

45022SR3N30 HONDA

45022SR3N31 HONDA

H4502SF9003 HONDA

H4502SR3003 HONDA

AY040HN005 NISSAN

GBP90298 ROVER

