



# BRAKE PAD PRIME CERAMIC P28070N

The P28070N NAO brake pad is synonymous with reliability

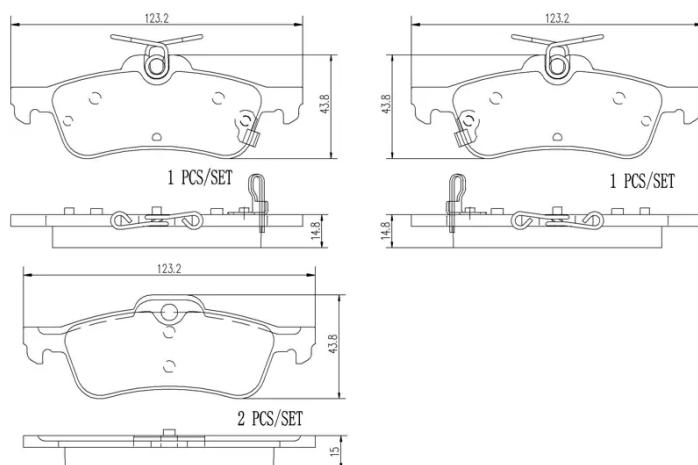
Brembo NAO brake pads stand out for their ultimate braking comfort, reduced friction wear and low dust mission, which makes for cleaner rims and reduced maintenance requirements. The advanced friction material in keeping with the strictest environmental standards is the main distinguishing feature of NAO compounds.

- ✓ OE-equivalent
- ✓ Brembo quality
- ✓ Safety
- ✓ Comfort
- ✓ Durability
- ✓ Dust reduction
- ✓ With accessories



## Technical specifications

EAN code <b>8020584088593</b>	Axle <b>Rear</b>	Thickness <b>15 mm</b>
Width <b>123 mm</b>	Height <b>44 mm</b>	Braking system <b>Teves</b>
Wear indicator <b>Acoustic</b>	WVA number <b>24574,25054,25055</b>	Accessories <b>With anti-squeal shim</b>



COMPATIBLE VEHICLES

## COMPATIBLE OE PART NUMBERS

43022TV0E00	HONDA
-------------	-------

---

43022TV0E01	HONDA
-------------	-------

---

43022TV8E00	HONDA
-------------	-------

---

43022TV8E01	HONDA
-------------	-------

---