



BRAKE PAD PRIME CERAMIC P30038N

The P30038N NAO brake pad is synonymous with reliability

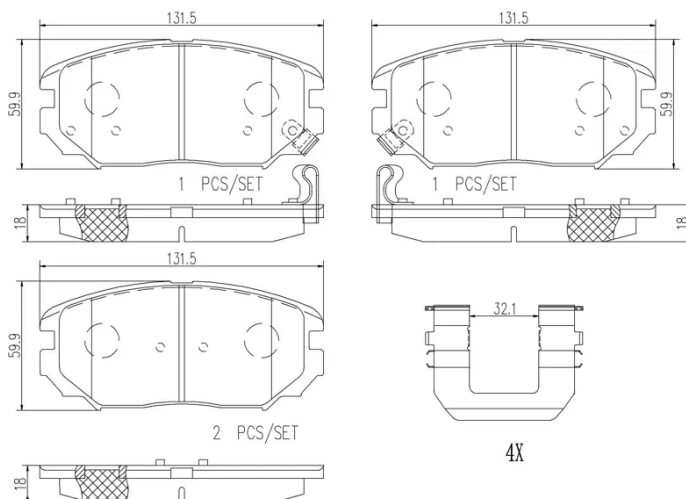
Brembo NAO brake pads stand out for their ultimate braking comfort, reduced friction wear and low dust mission, which makes for cleaner rims and reduced maintenance requirements. The advanced friction material in keeping with the strictest environmental standards is the main distinguishing feature of NAO compounds.

- ✓ OE-equivalent
- ✓ Brembo quality
- ✓ Safety
- ✓ Comfort
- ✓ Durability
- ✓ Dust reduction
- ✓ With accessories



Technical specifications

EAN code 8020584098059	Axle Front	Thickness 18 mm
Width 132 mm	Height 60 mm	Braking system Mando
Wear indicator Acoustic	WVA number 24375,24376,24835	Accessories With anti-squeal shim



COMPATIBLE VEHICLES

COMPATIBLE OE PART NUMBERS

581013FA01	HYUNDAI
------------	---------

581013KA20	HYUNDAI
------------	---------

581013KA30	HYUNDAI
------------	---------

581013KA32	HYUNDAI
------------	---------

581013LA10	HYUNDAI
------------	---------

581013LA11	HYUNDAI
------------	---------

581013FA11	KIA
------------	-----