



BRAKE PAD PRIME CERAMIC P50073N

The P50073N NAO brake pad is synonymous with reliability

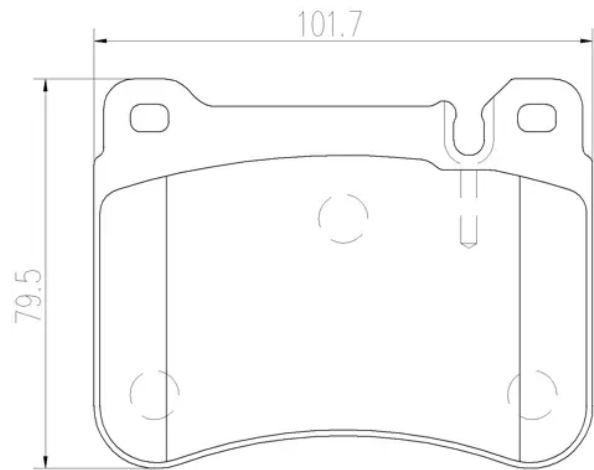
Brembo NAO brake pads stand out for their ultimate braking comfort, reduced friction wear and low dust mission, which makes for cleaner rims and reduced maintenance requirements. The advanced friction material in keeping with the strictest environmental standards is the main distinguishing feature of NAO compounds.

- ✓ OE-equivalent
- ✓ Brembo quality
- ✓ Safety
- ✓ Comfort
- ✓ Durability
- ✓ Dust reduction
- ✓ With accessories



Technical specifications

EAN code 8020584098547	Axle Front	Thickness 17 mm
Width 102 mm	Height 80 mm	Braking system Brembo
Wear indicator Prepared for wear indicator	WVA number 23945	Accessories With accessories With anti-squeal shim With brake caliper bolts



4 PCS/SET

COMPATIBLE VEHICLES

COMPATIBLE OE PART NUMBERS

0044205120	MERCEDES-BENZ
004420512041	MERCEDES-BENZ
A0044205120	MERCEDES-BENZ