



BRAKE PAD PRIME CERAMIC P50077N

The P50077N NAO brake pad is synonymous with reliability

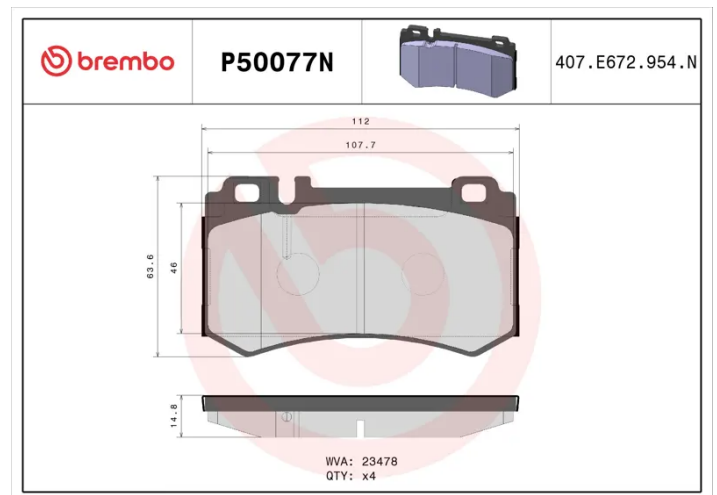
Brembo NAO brake pads stand out for their ultimate braking comfort, reduced friction wear and low dust mission, which makes for cleaner rims and reduced maintenance requirements. The advanced friction material in keeping with the strictest environmental standards is the main distinguishing feature of NAO compounds.

- ✓ OE-equivalent
- ✓ Brembo quality
- ✓ Safety
- ✓ Comfort
- ✓ Durability
- ✓ Dust reduction
- ✓ With accessories



Technical specifications

EAN code 8020584088951	Axle Rear	Thickness 15 mm
Width 111 mm	Height 64 mm	Braking system Brembo
Wear indicator Prepared for wear indicator	WVA number 23478	Accessories With anti-squeal shim



COMPATIBLE VEHICLES

COMPATIBLE OE PART NUMBERS

003420622041 MERCEDES-BENZ

0034209420 MERCEDES-BENZ

0044204920 MERCEDES-BENZ

A003420622041 MERCEDES-BENZ

A0034209420 MERCEDES-BENZ

A0044204920 MERCEDES-BENZ
