



# BRAKE PAD PRIME CERAMIC P61117N

The P61117N NAO brake pad is synonymous with reliability

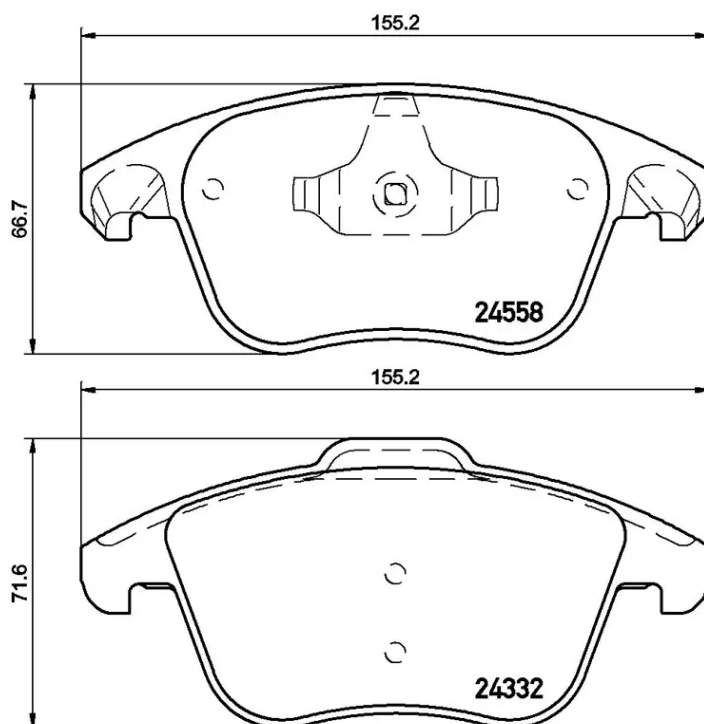
Brembo NAO brake pads stand out for their ultimate braking comfort, reduced friction wear and low dust mission, which makes for cleaner rims and reduced maintenance requirements. The advanced friction material in keeping with the strictest environmental standards is the main distinguishing feature of NAO compounds.

- ✓ OE-equivalent
- ✓ Brembo quality
- ✓ Safety
- ✓ Comfort
- ✓ Durability
- ✓ Dust reduction
- ✓ With accessories



## Technical specifications

EAN code <b>8020584114186</b>	Axle <b>Front</b>	Thickness <b>18 mm</b>
Width <b>155 mm</b>	Height <b>67 mm</b>	Braking system <b>Teves</b>
Wear indicator <b>Without</b>	WVA number <b>24332,24558</b>	Accessories <b>With accessories</b> <b>With anti-squeal shim</b> <b>With piston clip</b>



## COMPATIBLE OE PART NUMBERS

1609987980	CITROËN
------------	---------

1617273380	CITROËN
------------	---------

425477	CITROËN
--------	---------

E172338	CITROËN
---------	---------

425477	DS
--------	----

1609987980	PEUGEOT
------------	---------

1617273380	PEUGEOT
------------	---------

1647874180	PEUGEOT
------------	---------

425477	PEUGEOT
--------	---------