



BRAKE PAD PRIME CERAMIC P83143N

The P83143N NAO brake pad is
synonymous with reliability

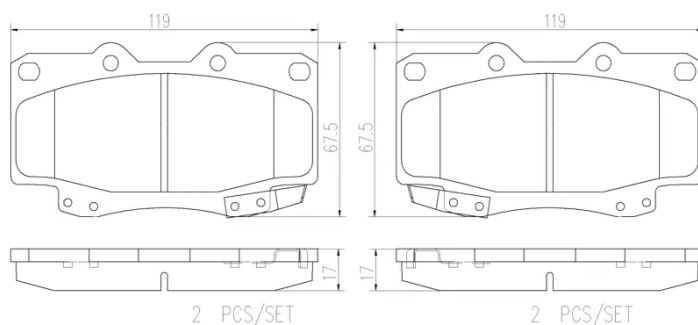
Brembo NAO brake pads stand out for their ultimate braking comfort, reduced friction wear and low dust mission, which makes for cleaner rims and reduced maintenance requirements. The advanced friction material in keeping with the strictest environmental standards is the main distinguishing feature of NAO compounds.

- ✓ OE-equivalent
- ✓ Brembo quality
- ✓ Safety
- ✓ Comfort
- ✓ Durability
- ✓ Dust reduction
- ✓ With accessories



Technical specifications

| | | |
|-----------------------------------|----------------------------------|---|
| EAN code 8020584104781 | Axle Front | Thickness 17 mm |
| Width 119 mm | Height 68 mm | Braking system Sumitomo |
| Wear indicator Acoustic | WVA number 21679,21680 | Accessories With anti-squeal shim |



COMPATIBLE VEHICLES