



BRAKE PAD

P 23 183

The P 23 183 brake pad is synonymous with reliability

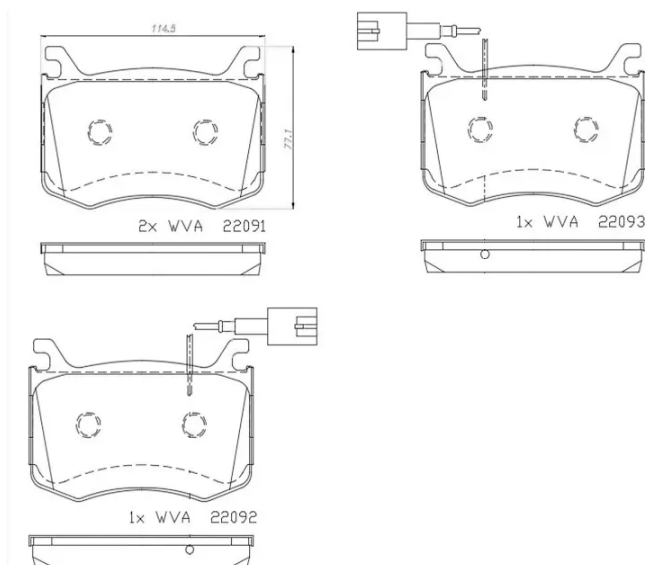
The Brembo brake pad guarantees ultimate safety when braking thanks to the use of more than 100 different compounds, designed according to the type of vehicle and use. Stopping distances reduced to a minimum, maximum driving comfort and silent operation are the most important features of Brembo materials. Brembo brake pads are supplied together with an extensive range of accessories and assembly kits for professional-standard installation.



- ✓ OE-equivalent
- ✓ Brembo quality
- ✓ ECE-R90 certificate
- ✓ Safety
- ✓ Performance
- ✓ Comfort

Technical specifications

EAN code 8020584087367	Axle Front	Thickness 15 mm
Width 115 mm	Height 77 mm	Braking system Brembo
Wear indicator Electric	WVA number 22091,22092,22093	Accessories With anti-squeal shim



COMPATIBLE VEHICLES

COMPATIBLE OE PART NUMBERS

68311929AA ALFA ROMEO

77367676 ALFA ROMEO

77368402 ALFA ROMEO

77369149 ALFA ROMEO
